

DEKS INDUSTRIES
5/841 Mountain Highway
Bayswater
Victoria 3153
www.deks.com.au

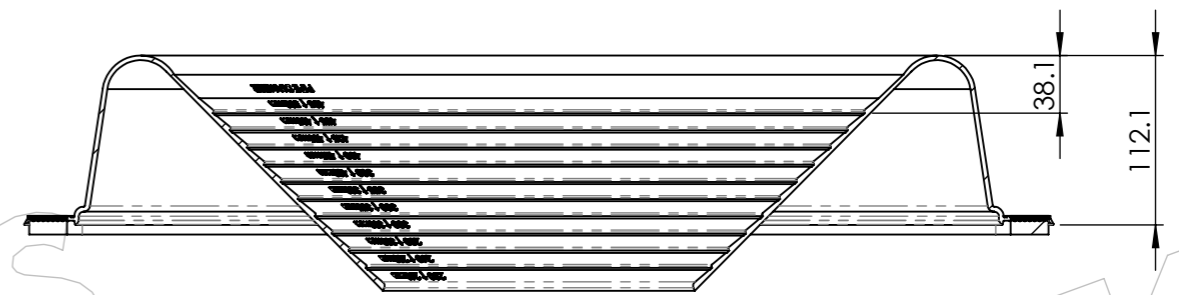
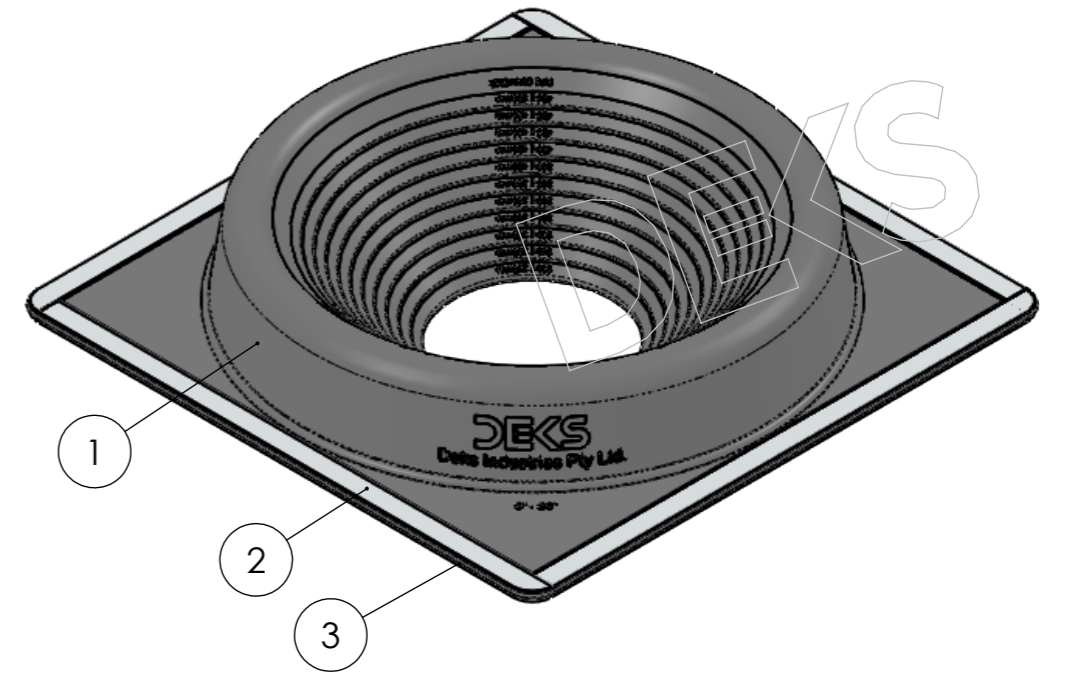
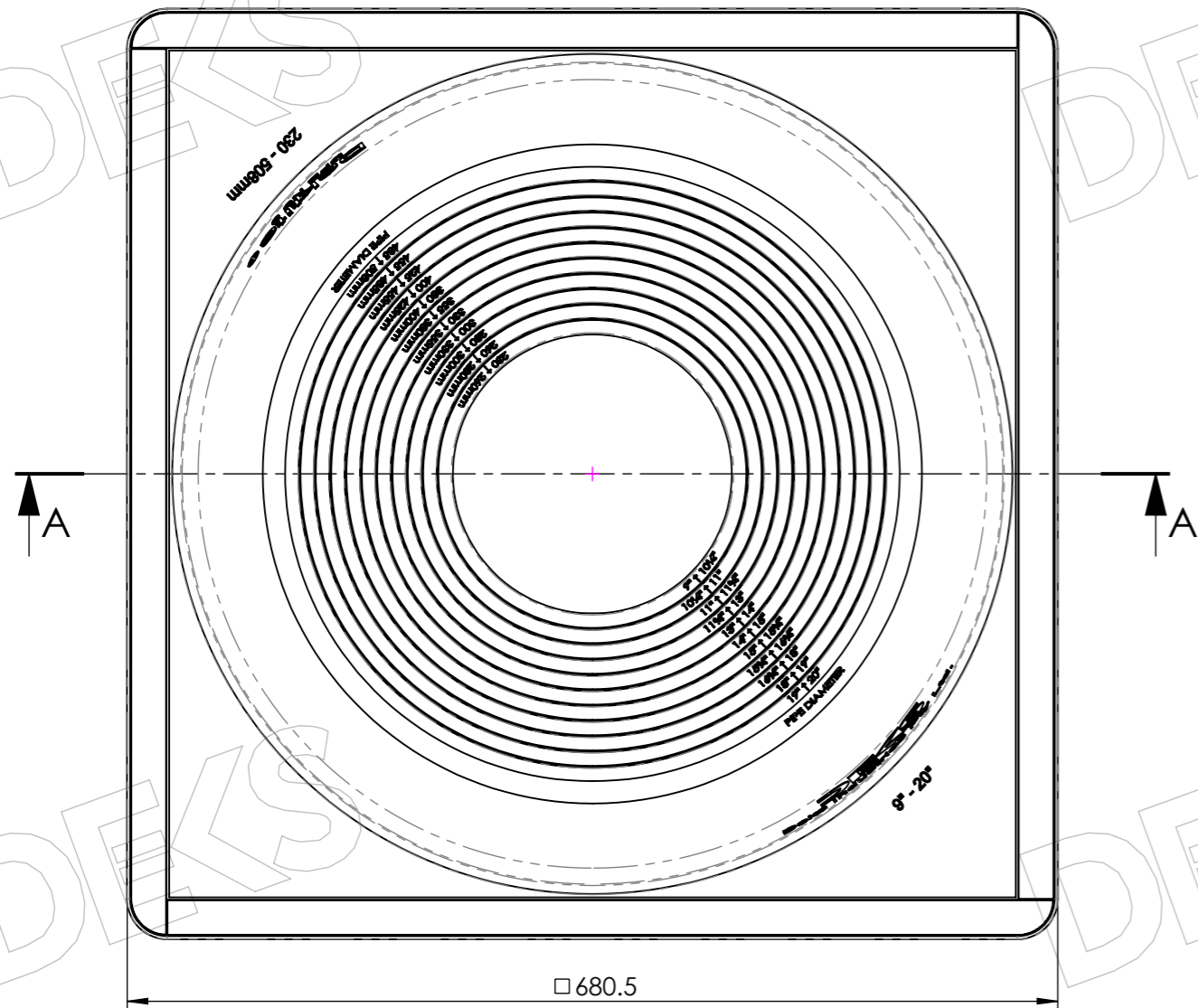
DEKS

Technical Documents

1: Drawings DFE109BEZ

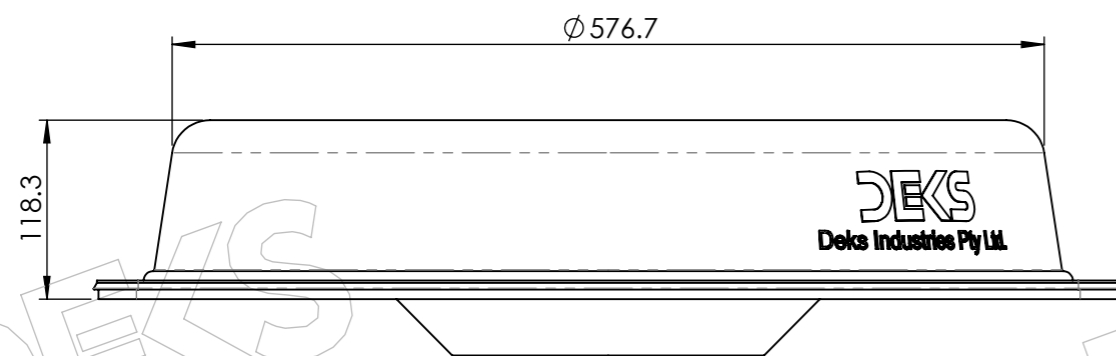
*Follow
Us On*





SECTION A-A

NOTES:
1. MINIMUM BOOT HEIGHT : 150.2MM



PART NO.	DISPLAY NAME	MATERIAL
DFE109BEZ	Dektite Ezi Seal #9 Blk (230-508mm/9-20")	BLACK EPDM

3	SPONGE	1
2	ALUMINIUM STRIP	4
1	RUBBER FLASHING	1
ITEM NO.	DESCRIPTION	QTY.