

DEKS INDUSTRIES
5/841 Mountain Highway
Bayswater
Victoria 3153
www.deks.com.au



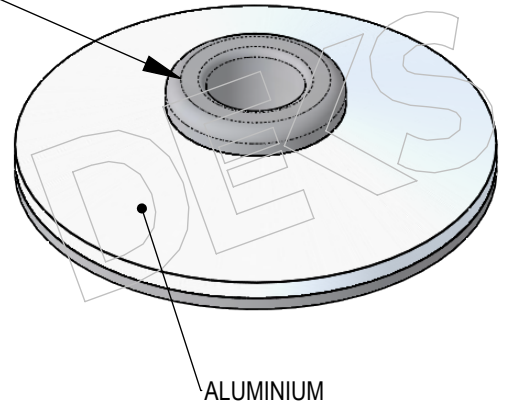
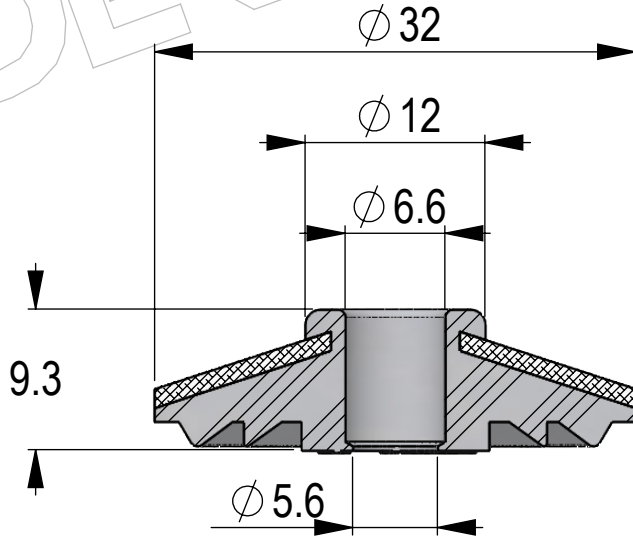
Technical Documents

1: Drawings DM-A32-B14-A

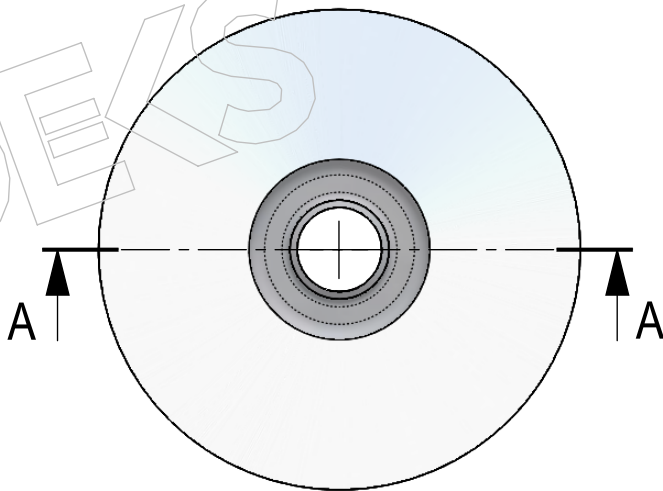
*Follow
Us On*



EPDM RUBBER



SECTION A-A



Part Number	Display Name	Material
DM-A32-B14-A	Dekfast Multiseal 32mm (1.25") Blk Alu 14g	AL/EPDM

*EPDM RUBBER IS NON-CONDUCTIVE