

DEKS INDUSTRIES  
5/841 Mountain Highway  
Bayswater  
Victoria 3153  
www.deks.com.au

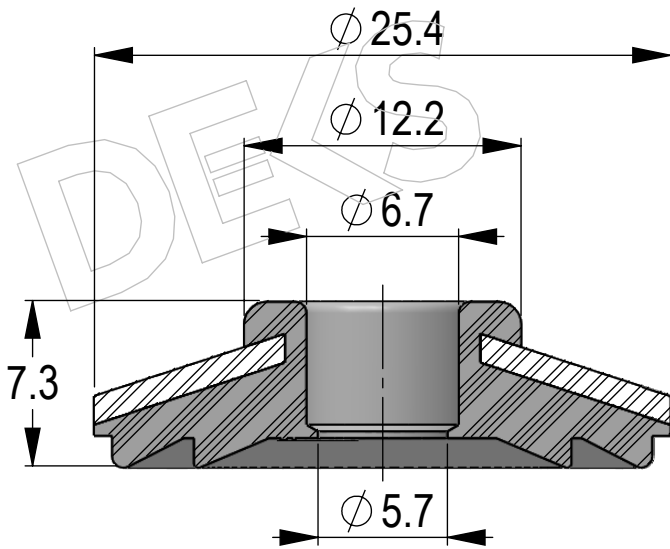


Technical Documents

1: Drawings DM-A25-B14-A

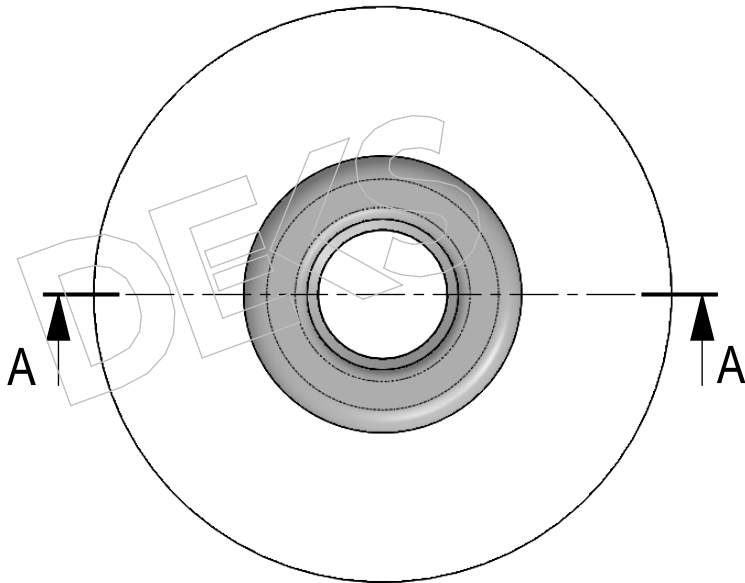
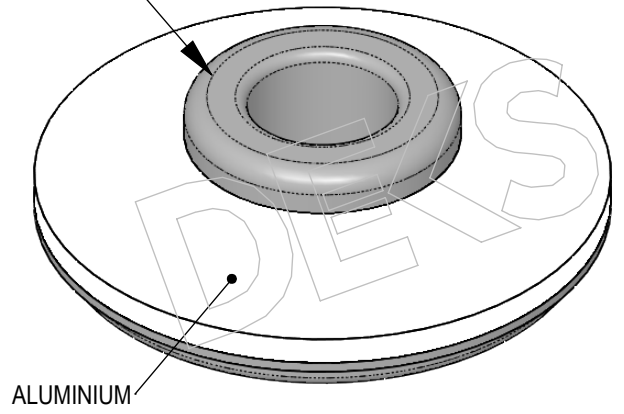
*Follow  
Us On*





SECTION A-A

EPDM RUBBER



Part Number	Display Name	Material
DM-A25-B14-A	Dekfast Multiseal 25mm (1") Blk Alu 14g	AL/EPDM

\*EPDM RUBBER IS NON-CONDUCTIVE