

DEKS INDUSTRIES
5/841 Mountain Highway
Bayswater
Victoria 3153
www.deks.com.au

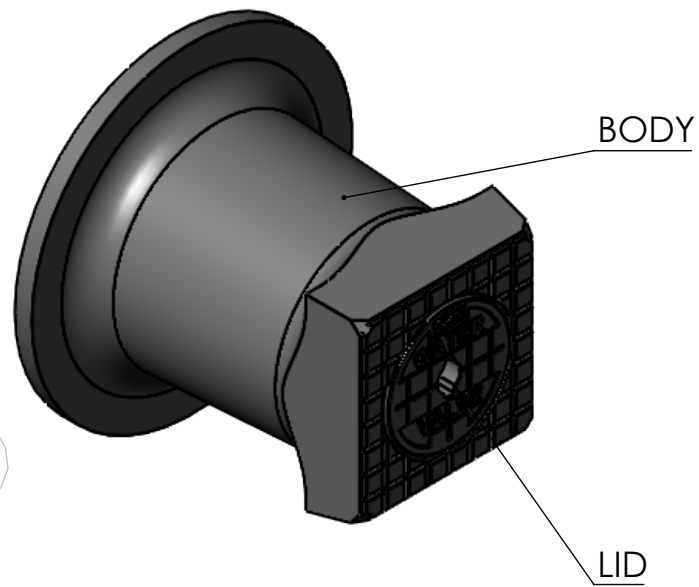
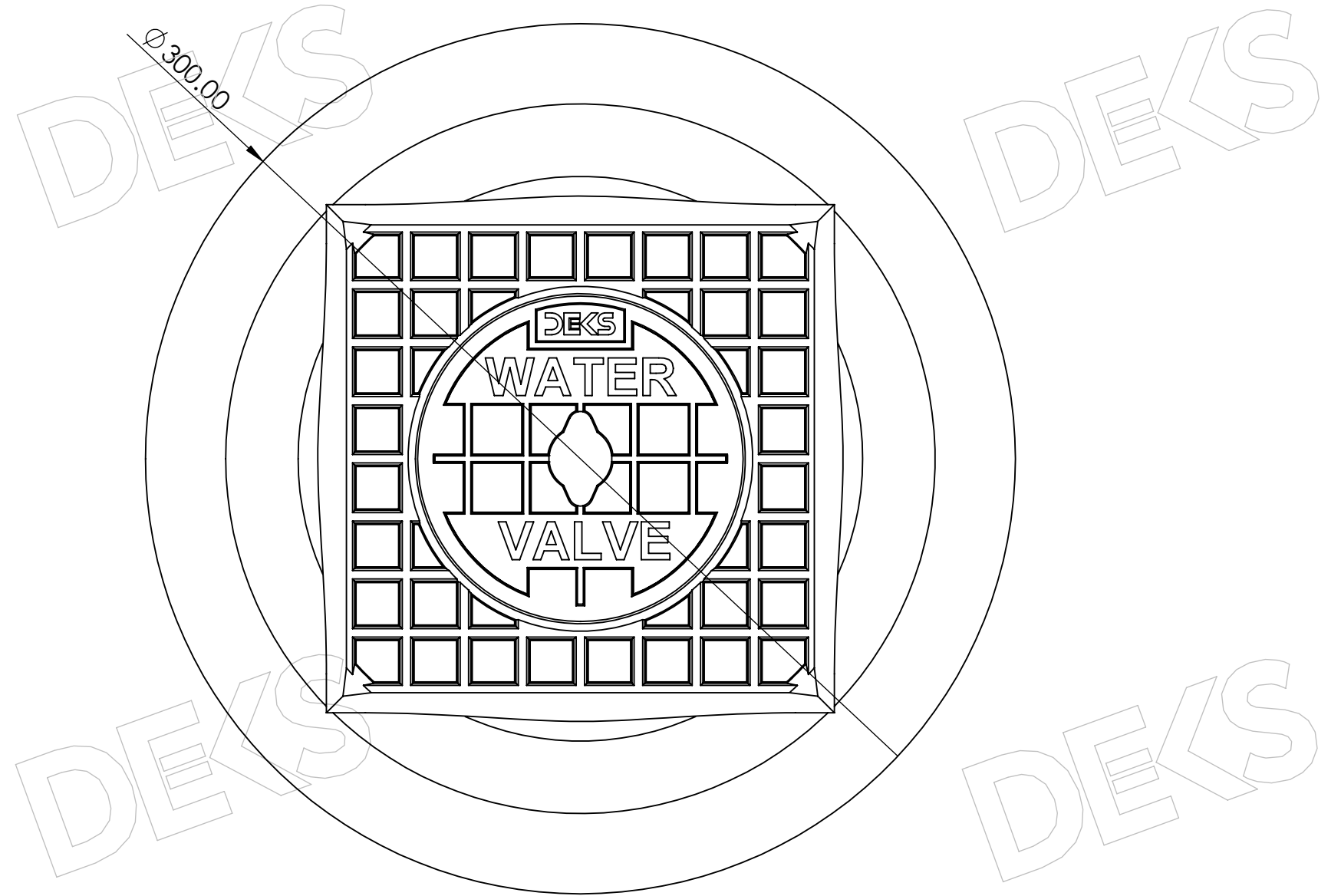
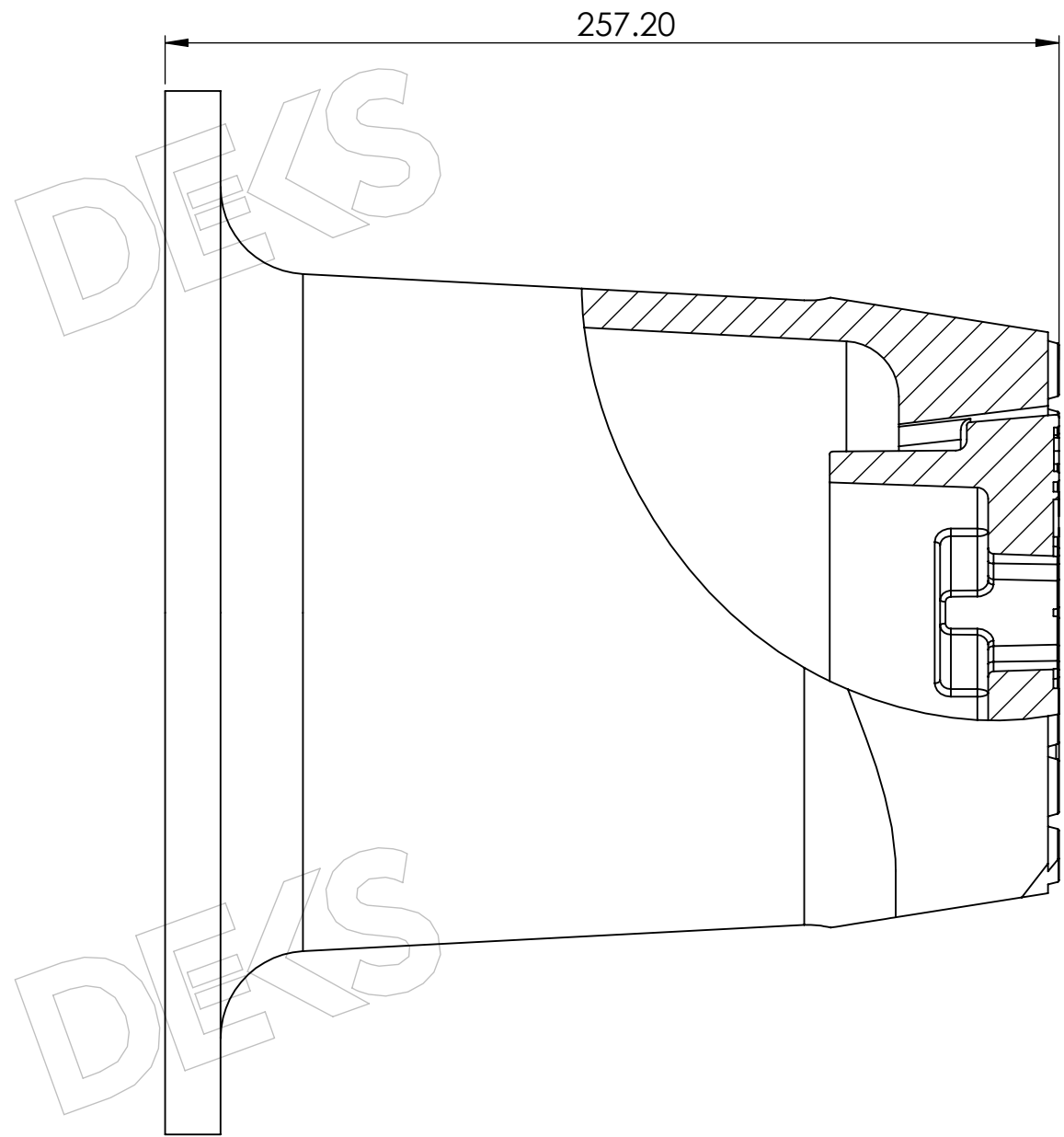
DEKS

Technical Documents

1: Drawings 4012&4012LILAC

*Follow
Us On*





PART NO	DISPLAY NAME	MATERIAL
4012	Sluice Valve Cover (Melbourne)	CAST IRON
4012LILAC	Sluice Valve Cover (Melbourne) - LILAC	CAST IRON