

DEKS INDUSTRIES  
5/841 Mountain Highway  
Bayswater  
Victoria 3153  
www.deks.com.au

# DEKS

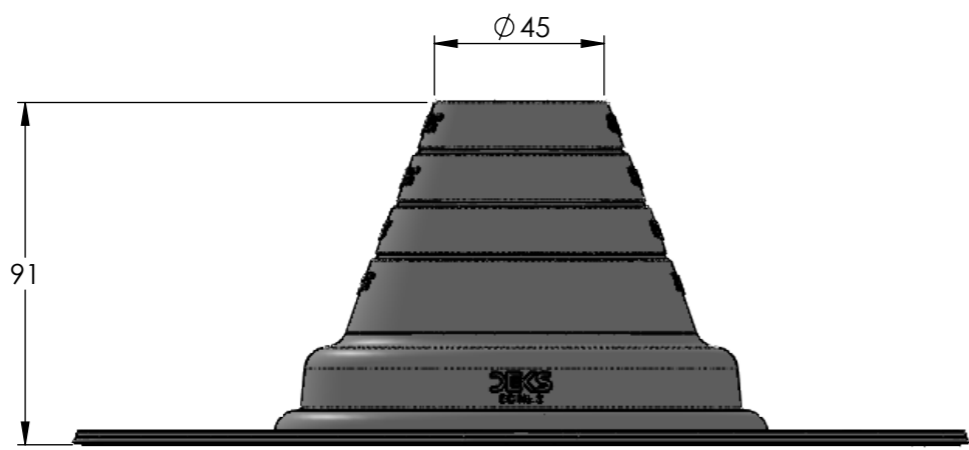
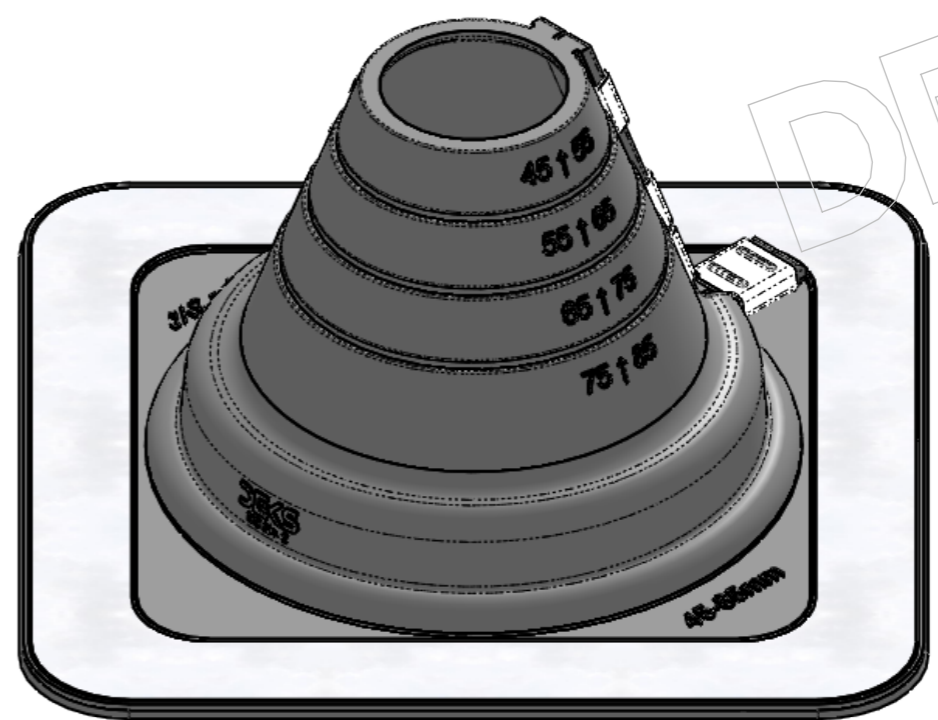
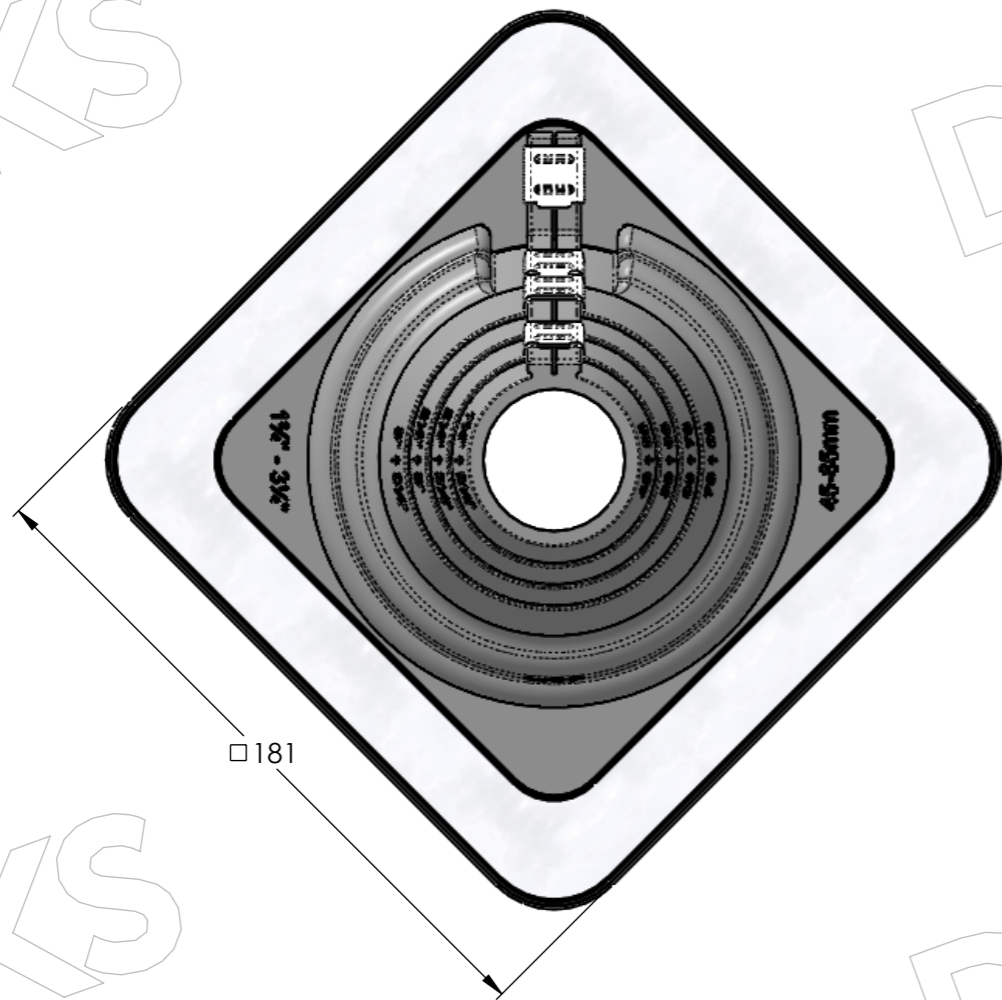
## Technical Documents

**1: Drawings DC102BC&DC102GC**

**2: Flashings Technical Specifications**

*Follow  
Us On*





PART NUMBER	DISPLAY NAME	MATERIAL
DC102BC	Dektite Combo #2 Blk (45-85mm/1.75-3.25") + clips	EPDM/ALU
DC102GC	Dektite Combo #2 Gry (45-85mm/1.75-3.25") + clips	EPDM/ALU
DC202REC	Dektite Combo #2 Red Sil (45-85mm/1.75-3.25") + clips	SILICONE/ALU

DEKS Industries Pty. Ltd.  
ABN 77 107 135 544

5/841 Mountain Highway  
PO Box 569  
Bayswater Victoria  
3153 Australia

## TECHNICAL SPECIFICATION

### PRODUCT RANGE: Dektite Roof Original and Premium Flashings

Working Temperature:

Black and Grey EPDM -50°C (-122°F) to 115°C (239°F) and Red Silicone -50°C (-122°F) to 200°C (392°F)

Property	Conditions	Method	Requirements As per IAPMO PS 64 -12	Result
Ultimate Elongation of Rubber	Die C	ASTM D412	Min. 210 % Elongation	Complies
Split Tear Strength of Rubber	Die C	ASTM D624	Min. 0.25 kN/m (EPDM), Min. 0.17 kN/m (Silicone)	Complies
Water Absorption of Rubber	48 hrs @ 158°F	ASTM D471	Max. change 5% by volume	Complies
Ozone Resistance of Rubber	72 hrs @ 104°F & 50 pphm Ozone	ASTM D1149 and D1171	No visible cracks	Complies
Low Temp. Brittleness of Rubber	Non-brittle 3 minutes @ -40°F, Method A	ASTM D2137	No brittleness	Complies
UV resistance of Rubber	UV: One cycle of 4 hrs @ 140°F. Condensation: 2000 hrs @ 122°F	ASTM G154	Max. 50% loss in Tensile Strength & Elongation	Complies
Rain Test for Flashing	Section 25	ANSI/UL 441	Pass	Complies
Temperature Test of Flashing	Section 19	ANSI/UL 441	Max. 90°F above the room temp.	Complies
Horizontal Burning Test / Flame spread of Flashing	Section 7	UL 94	Max. 75 mm/min	Complies