

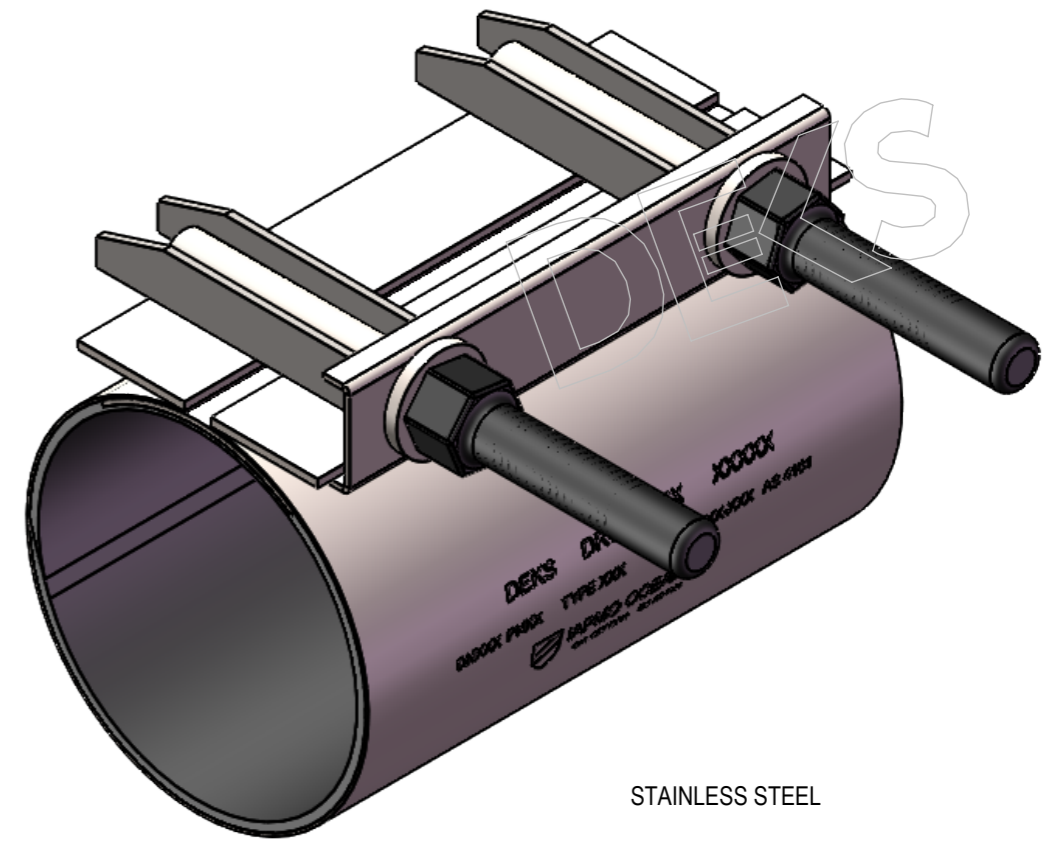
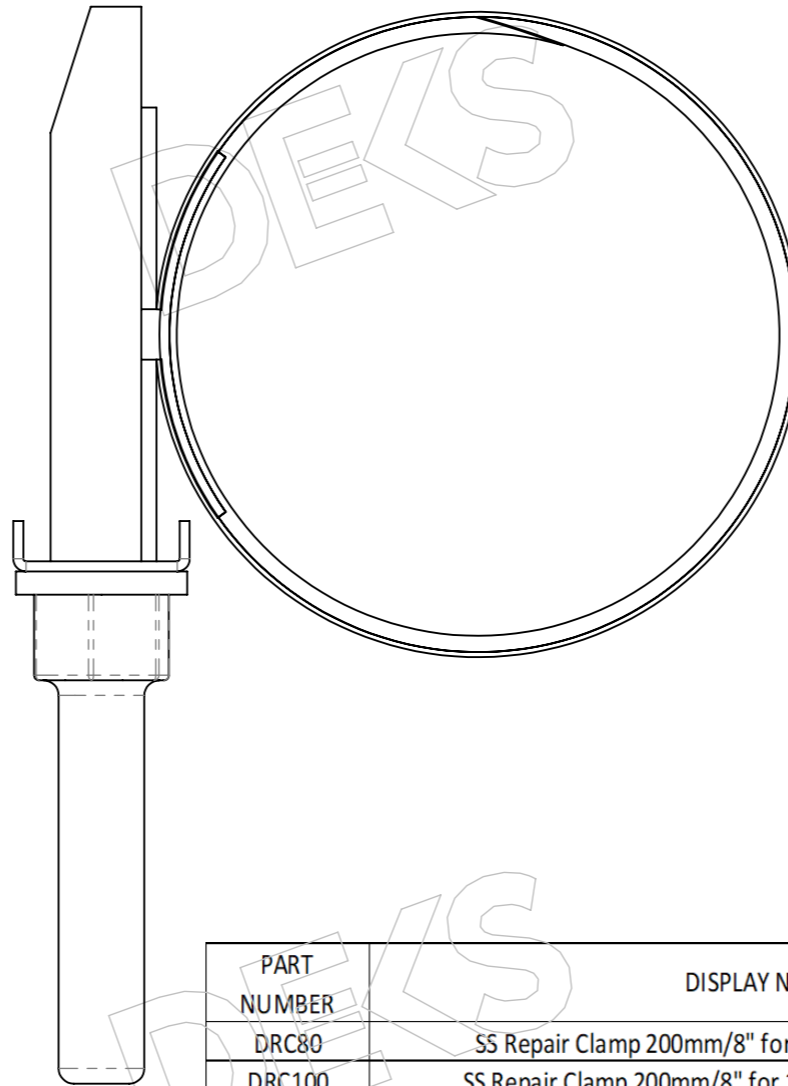
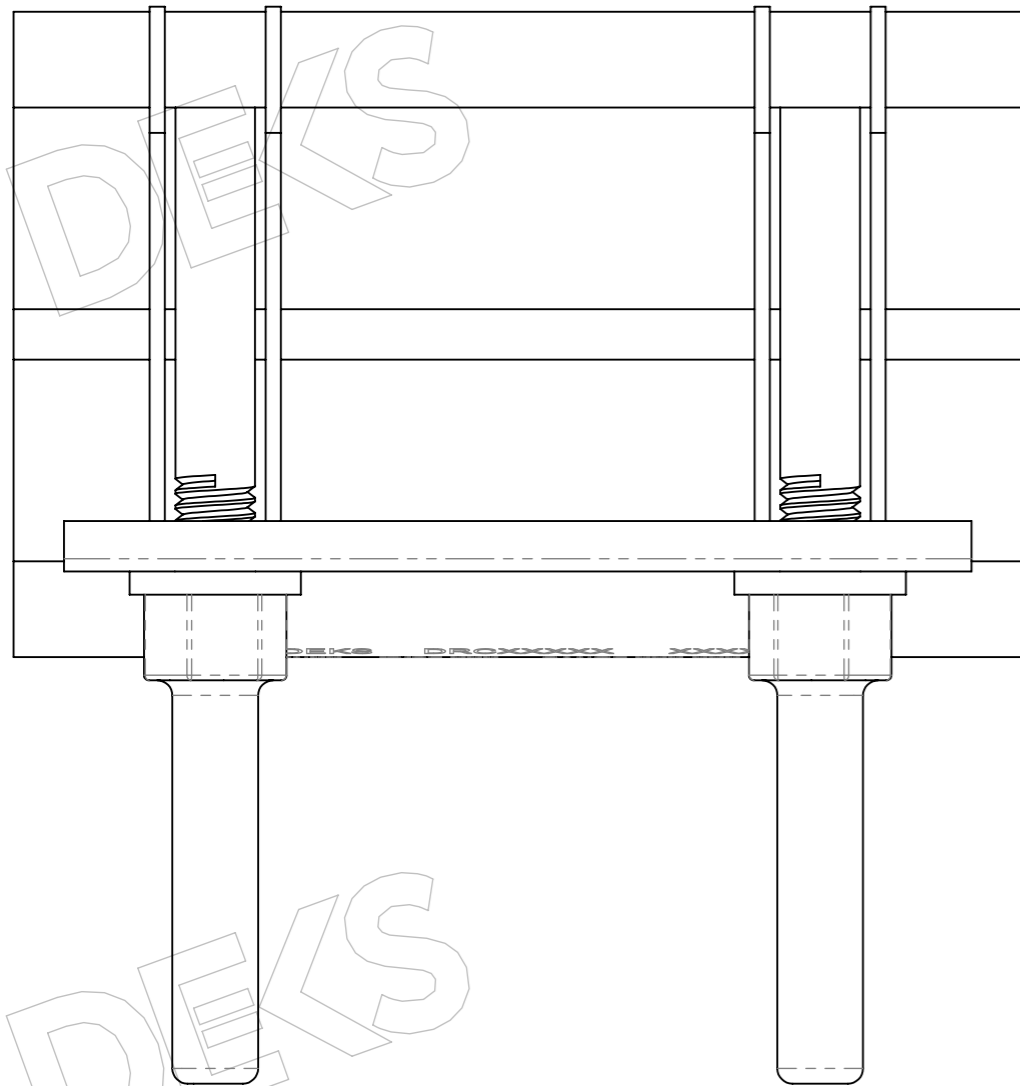


## Technical Documents

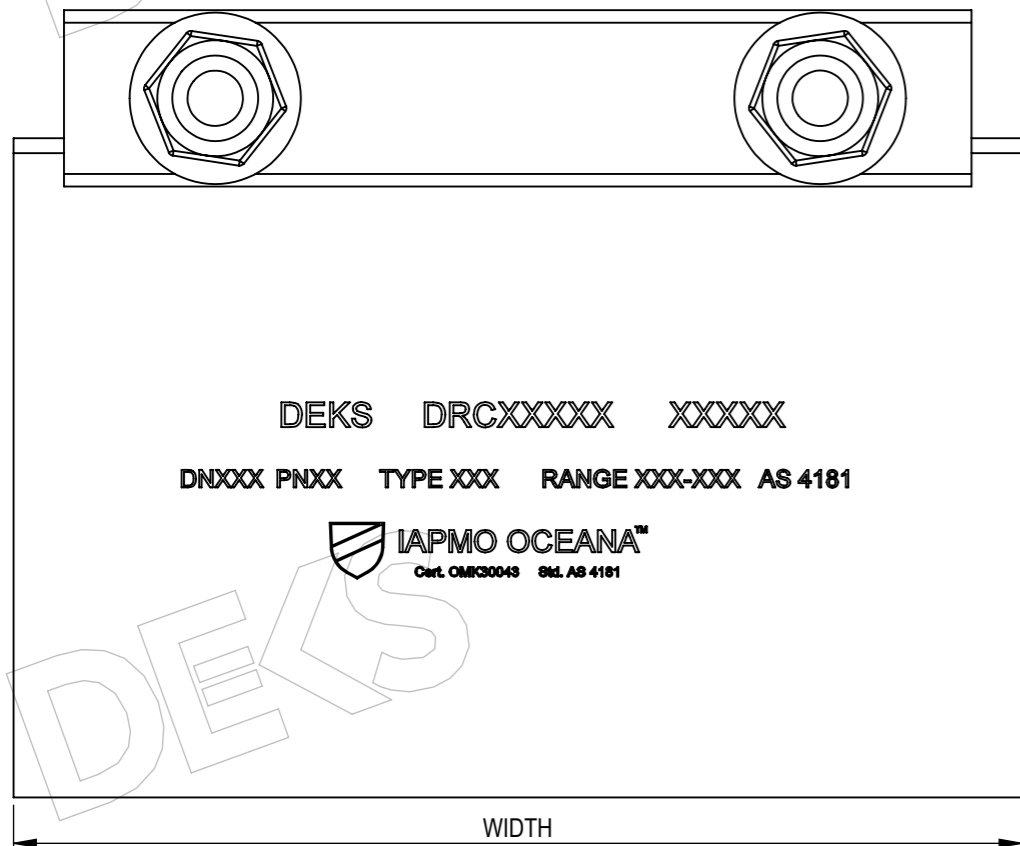
- 1: Drawings SS Repair Clamps
- 2: Product Appraisal Report
- 3: OCEANAMARK Certificate

*Follow  
Us On*





STAINLESS STEEL



PART NUMBER	DISPLAY NAME	NOM PIPE SIZE (MM)	RANGE	WIDTH MM	BOLTS NO-DIA	NO.OF CLAMP SEGMENTS
			MIN-MAX			
DRC80	SS Repair Clamp 200mm/8" for 89-99mm/3.45-3.88" OD	DN80	89 - 99	200	2 - M16	1
DRC100	SS Repair Clamp 200mm/8" for 114-124mm/4.45-4.88" OD	DN100	114 - 124	200	2 - M16	1
DRC100L	SS Repair Clamp 300mm/8" for 114-124mm/4.45-4.88" OD	DN100	114 - 124	300	4 - M16	1
DRC150S1	SS Repair Clamp 200mm/8" for 160-170mm/6.30-6.69" OD (S1 pipe)	DN150	160 - 170	200	2 - M16	1
DRC150S2	SS Repair Clamp 300mm/12.5" for 160-170mm/6.30-6.69" OD (S1 pipe)	DN150	177 - 187	200	2 - M16	1
DRC150S1L	SS Repair Clamp 200mm/8" for 177-187mm/7.05-7.48" OD	DN150	160 - 170	300	4 - M16	1
DRC150S2L	SS Repair Clamp 300mm/8" for 177-187mm/7.05-7.48" OD	DN150	177 - 187	300	4 - M16	1
DRC200S1	Repair Clamp 200mm/8" for 225-235mm/8.85-9.25" OD	DN200	225 - 235	200	3 - M16	1
DRC200S2	SS Repair Clamp 200mm/8" for 232-242mm/9.13-9.53" OD (S2 pipe)	DN200	232 - 242	200	3 - M16	1
DRC225S1	SS Repair Clamp 300mm/12.5" for 250-260mm/9.84-10.24" OD (S1 pipe)	DN225	250 - 260	300	4 - M16	1
DRC225S2	SS Repair Clamp 300mm/12.5" for 259-269mm/10.20-10.59" OD (S2 pipe)	DN225	259 - 269	300	4 - M16	1
DRC250	SS Repair Clamp 300mm/12.5" for 280-290mm/11.02-11.42" OD	DN250	280 - 290	300	4 - M20	1
DRC300S1	SS Repair Clamp 300mm/12.5" for 315-325mm/12.40-12.80" OD (S1 pipe)	DN300	315 - 325	300	4 - M20	1
DRC300S2	SS Repair Clamp 300mm/12.5" for 345-355mm/13.58-13.98" OD (S2 pipe)	DN300	345 - 355	300	4 - M20	1
DRC375S1		DN375	399 - 419	400	10 - M20	2
DRC375S2		DN375	426 - 446	400	10 - M20	2
DRC450		DN450	500 - 520	400	10 - M20	2
DRC500		DN500	559 - 589	400	15 - M20	3
DRC600S1		DN600	630 - 660	400	15 - M20	3
DRC600S2		DN600	667 - 697	400	15 - M20	3

# DEKS Industries Pty Ltd

PRODUCT APPRAISAL REPORT No 1501

DEKS Stainless Steel Repair Clamps

**AS 4181: 2013 Repair and off-take clamps for water industry purposes**

Publication Date: 11 August 2015



WATER SERVICES  
ASSOCIATION OF AUSTRALIA

# IAPMO R&T OCEANA

1040 Dandenong Road, Carnegie, Victoria 3163, AUSTRALIA



IAPMO R&T Oceana is a product certification body which inspects and arranges for the independent laboratory testing of samples taken from the manufacturer's stock or from the market or a combination of both, to verify compliance of the requirements of applicable Standards and Specifications. This activity is coupled with periodic surveillance of the certified product taken from the market place or the manufacturer's factory. This certification is subject to the conditions set forth in the characteristics below and is not to be construed as any recommendation, assurance or guarantee by IAPMO R&T Oceana of the product acceptance by Authorities Having Jurisdiction. The IAPMO R&T Oceana 'OceanaMark' Product Certification Scheme is a JAS-ANZ accredited ISO Guide 67 Type 5 Product Certification Scheme.

## OCEANAMARK LICENCE

*IAPMO R&T Oceana hereby grants to:*

**Deks Industries Pty Ltd**

5/841 Mountain Highway Bayswater, Victoria 3153 Australia

*the right to use the OceanaMark in accordance with IAPMO R&T Oceana Pty Ltd 'Mark Rules' on the product as described in the attached OceanaMark Schedule. The Certificate is granted subject to IAPMO R&T Oceana Pty Ltd 'Governance Rules'.*

*Evaluated to:*

AS 4181-2013

Repair and off-take clamps for water industry purposes

*Manufacturer:*

Refer to certificate holder

**Licence No.:** OMK30043

**Certified Date:** 01 Oct, 2014

**Issue Date:** 19 Nov, 2015

**Expiry Date:** 30 Sep, 2019

Chief Executive Officer of The IAPMO Group

This OceanaMark certification is for the period indicated herein and is void after the date shown above. Any change in material, manufacturing process, marking or design without having first obtained the approval of IAPMO R&T Oceana, or any evidence of non-compliance with applicable Standards, Specifications or of inferior workmanship, may be deemed sufficient cause for revocation of this certification. Reproduction of or reference to this certificate for advertising purposes may be made only by specific written permission of IAPMO R&T Oceana. Any alteration of this certificate could be grounds for revocation of this certification.