



Technical Documents

1: Drawing 6009

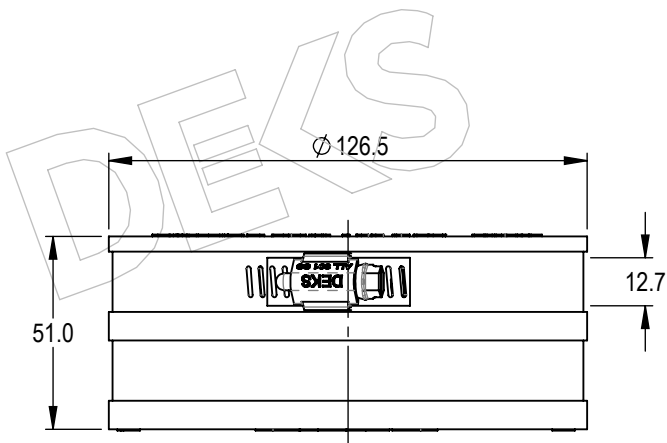
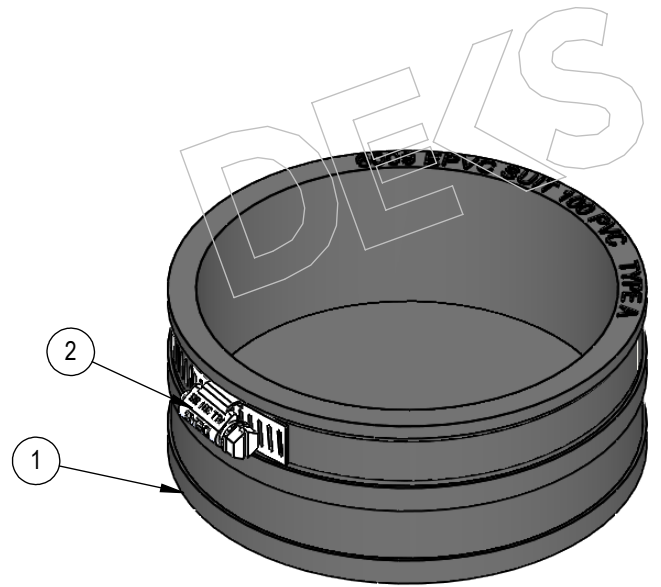
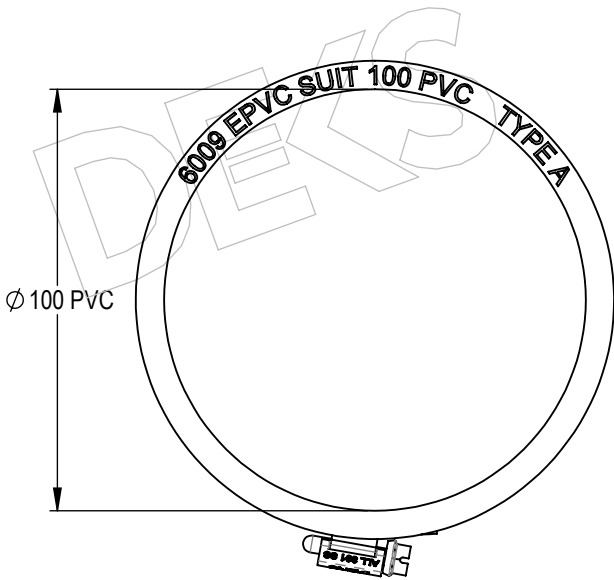
2: Drawing 6019

3: Drawing 6024

4: Drawing 6035

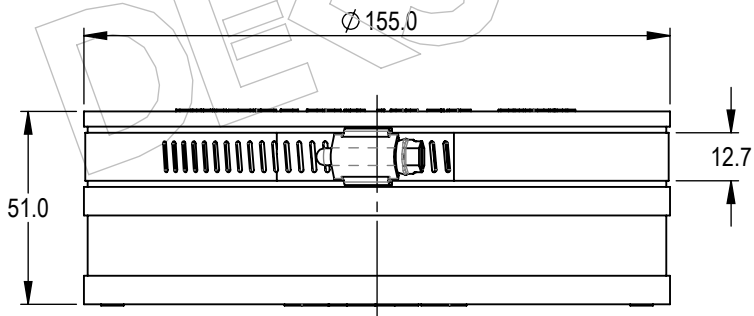
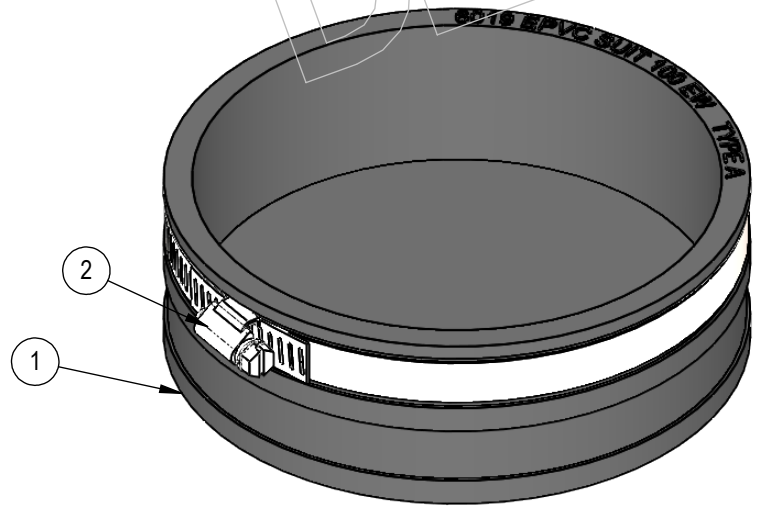
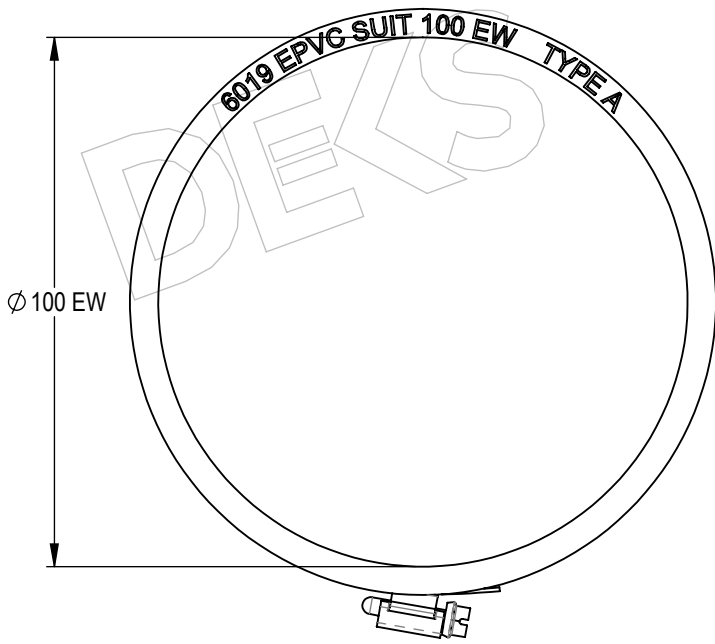
*Follow
Us On*





ITEM NO.	DESCRIPTION	QTY
1	PIPE JOINER (100 PVC)	1
2	STAINLESS STEEL ADJUSTABLE BAND	1

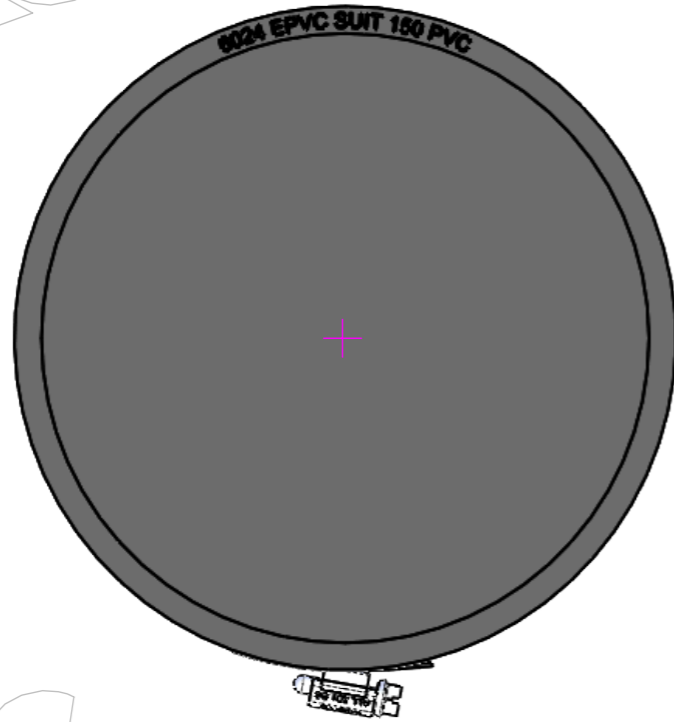
PART NO	DISPLAY NAME	MATERIAL
6009	Deks Joiner 100 PVC End Cap Blk ePVC	EPVC/SS



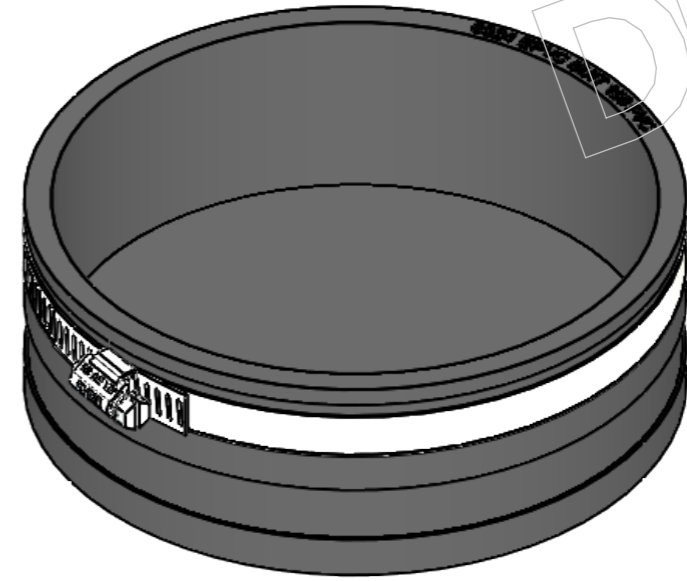
ITEM NO.	DESCRIPTION	QTY
1	PIPE CAP(100 EW)	1
2	STAINLESS HOSE CLAMP	1

PART NO	DISPLAY NAME	MATERIAL
6019	Deks Joiner 100 EW End Cap Blk ePVC	EPVC/SS

DEKS

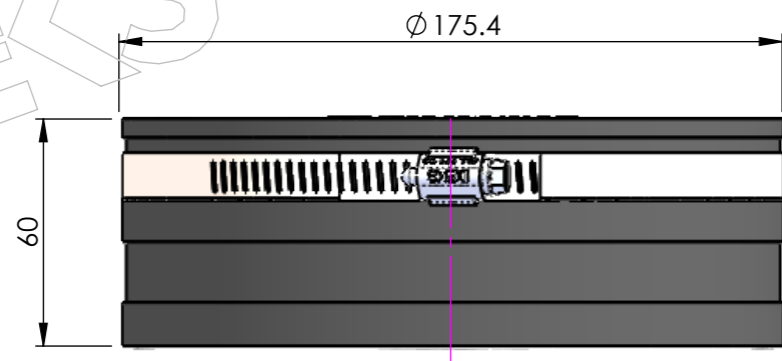


DEKS



DEKS

DEKS



DEKS

DEKS

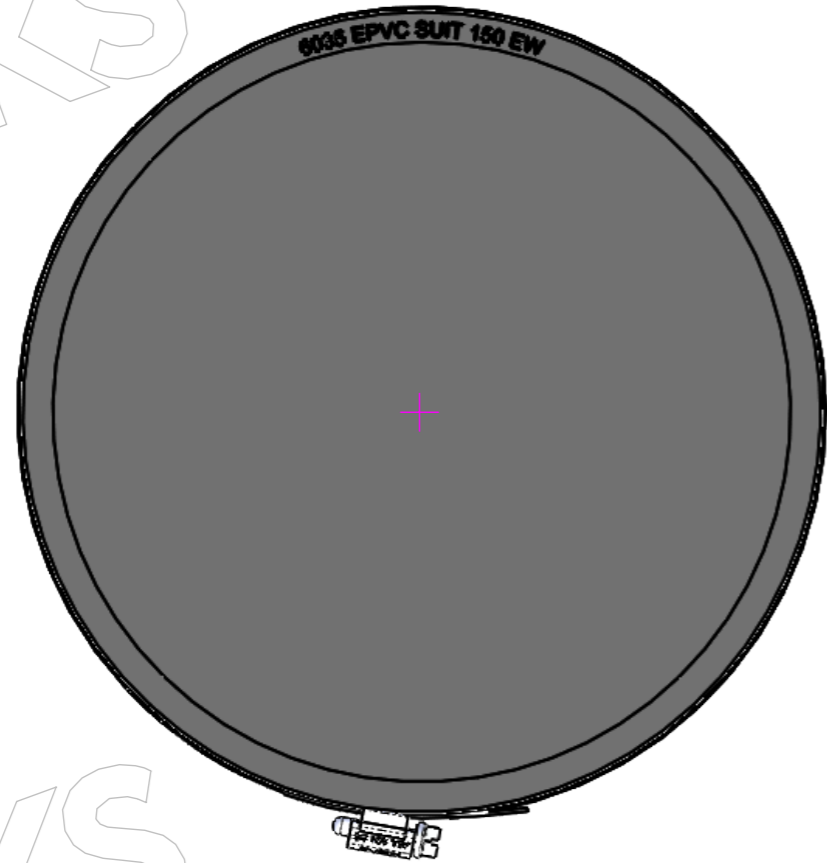
DEKS

PART NO	DISPLAY NAME	MATERIAL
6024	Deks Joiner 150 PVC End Cap Blk EPVC	EPVC/SS

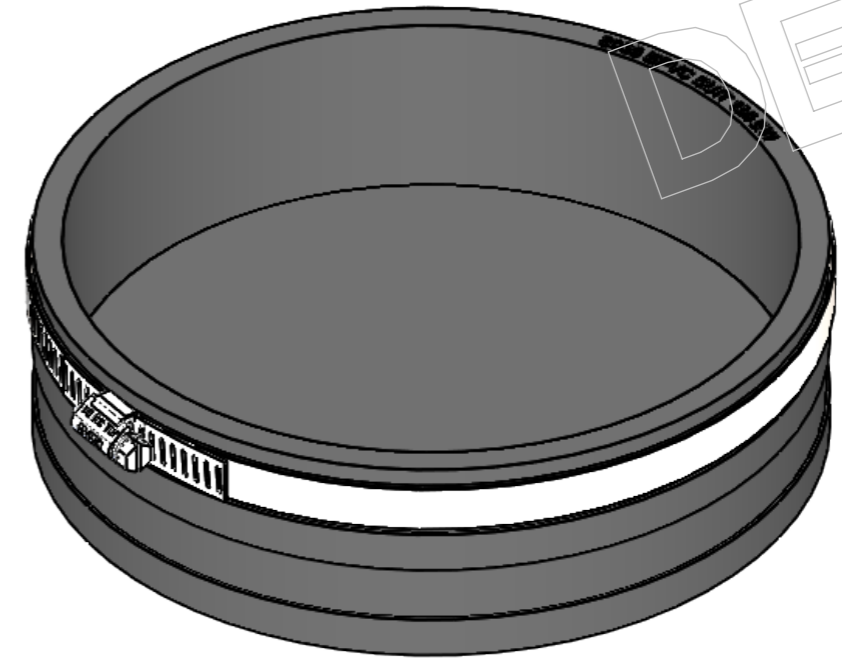
DEKS

DEKS

DEKS

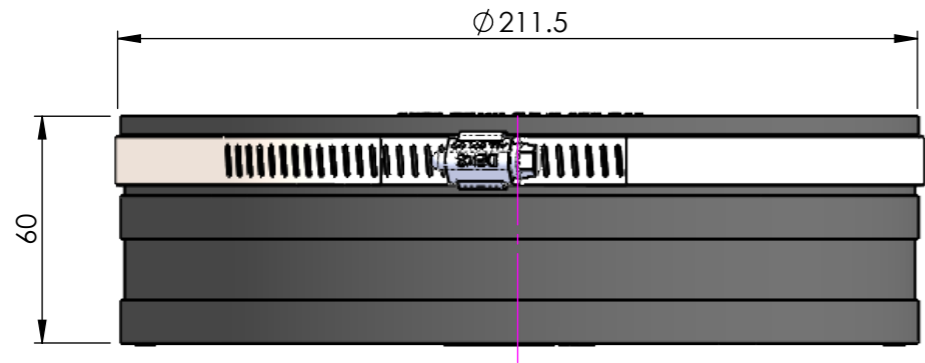


DEKS



DEKS

DEKS



DEKS

DEKS

DEKS

PART NO	DISPLAY NAME	MATERIAL
6035	DEKS JOINER 150 EW END CAP BLK EPVC	EPVC/SS

DEKS

DEKS