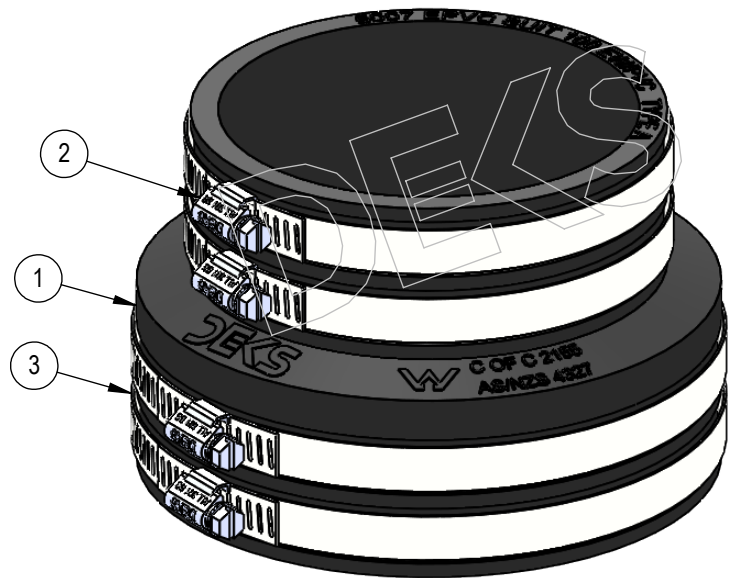
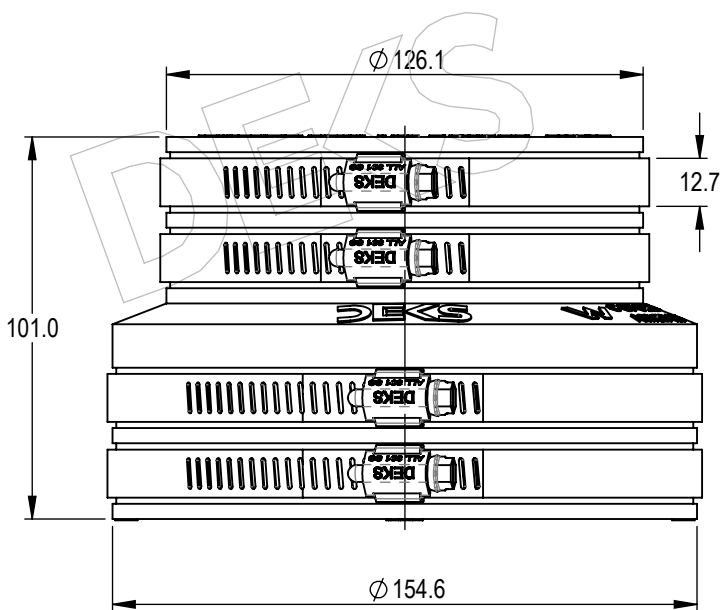
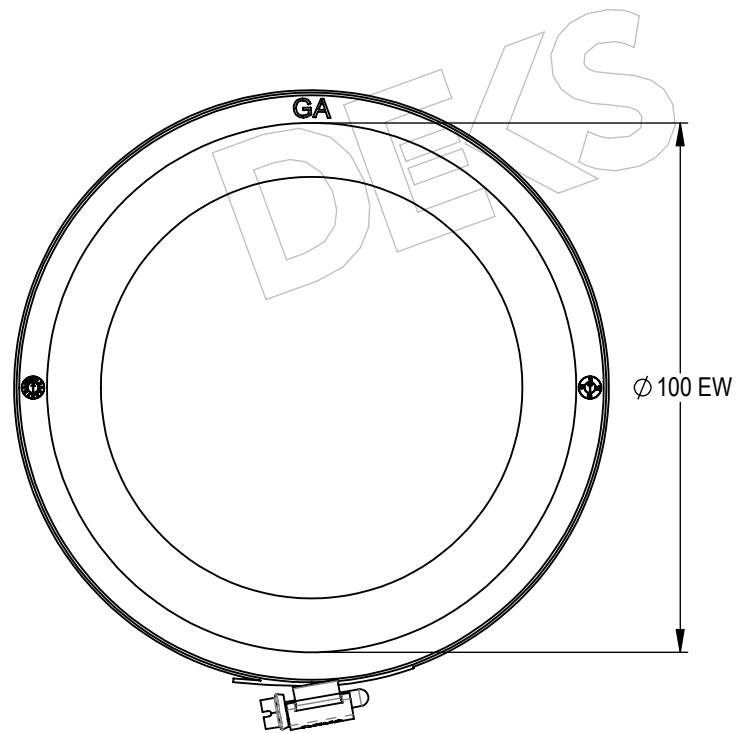
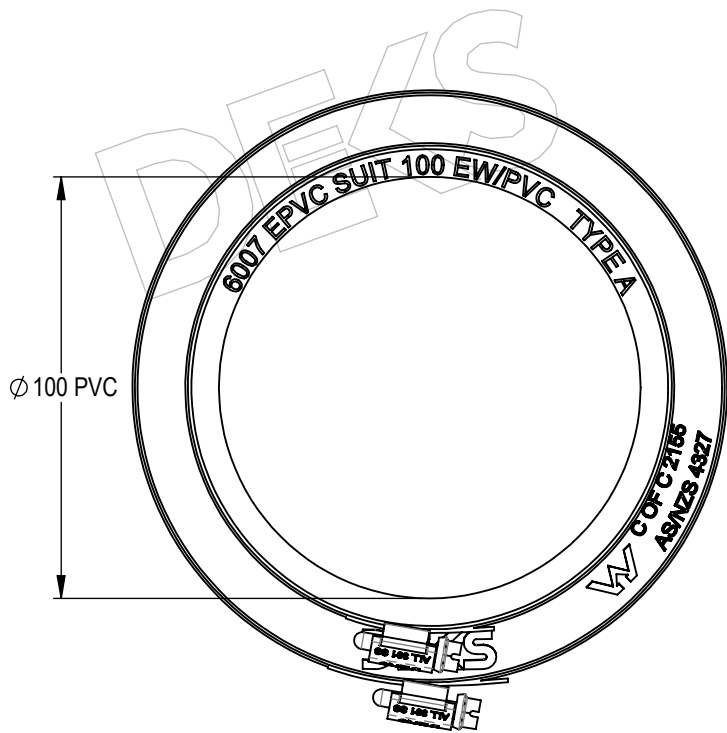


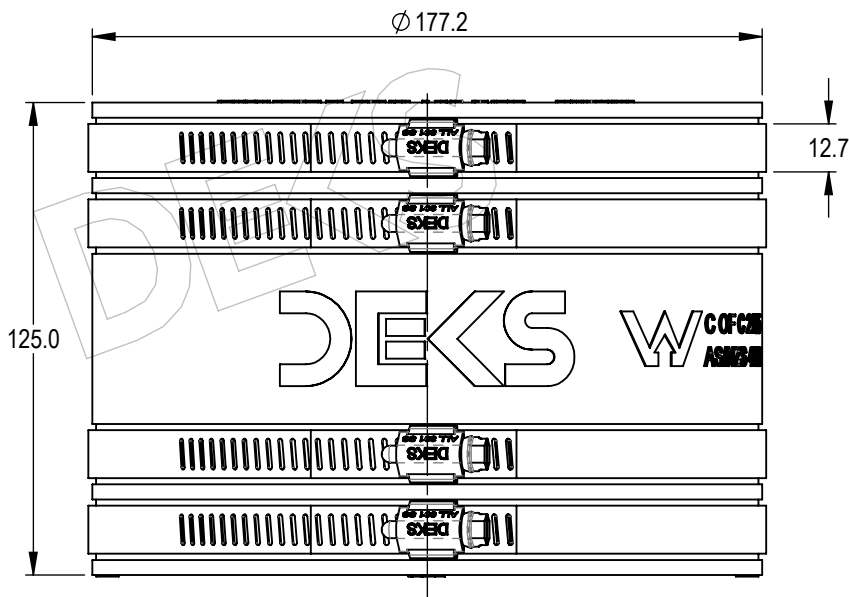
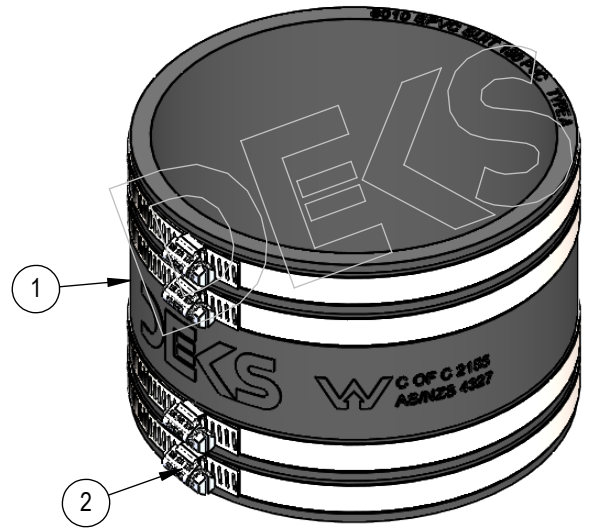
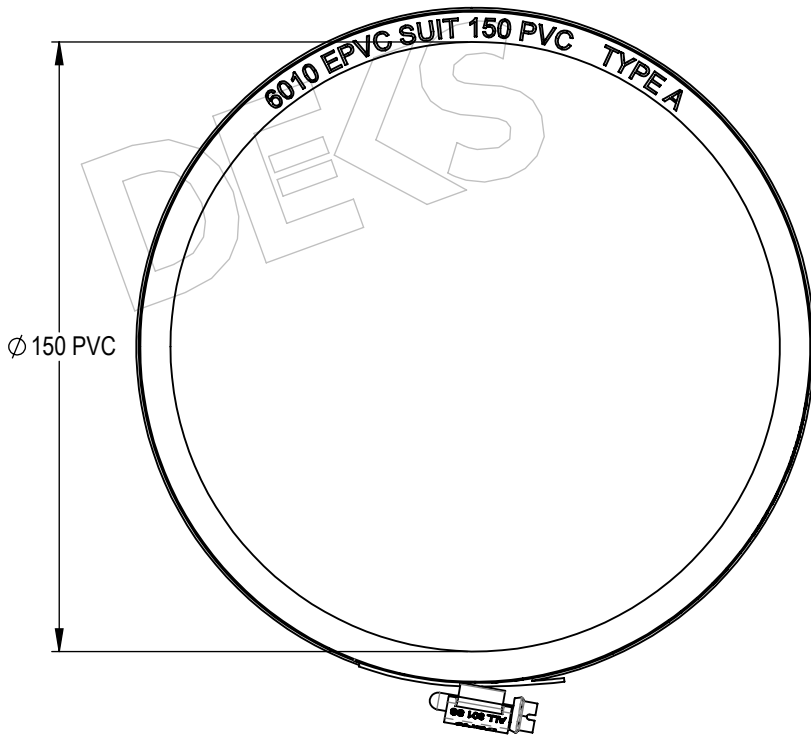
2	316 SS ADJUSTABLE BAND 95mm-135mm	4
1	SLEEVE	1
ITEM NO.	DESCRIPTION	QTY.

PART NO	DISPLAY NAME	MATERIAL
6013	Deks Joiner 100 PVC Dbl Clip Joiner Blk ePVC	EPDM/SS



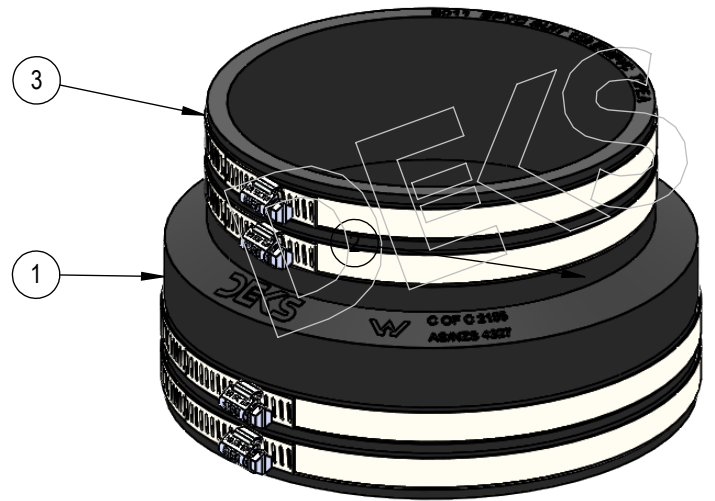
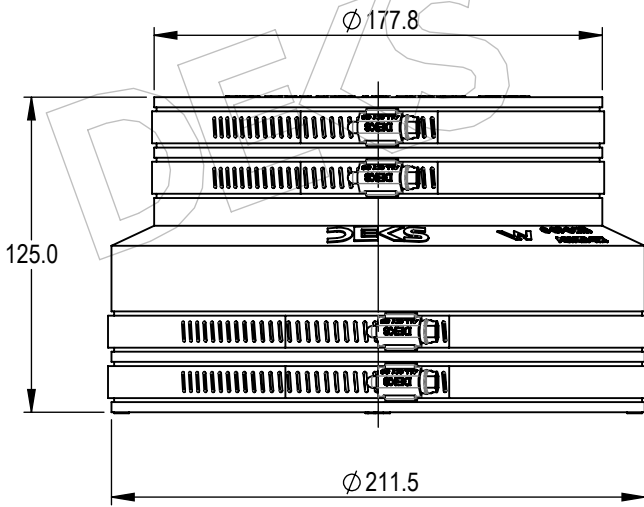
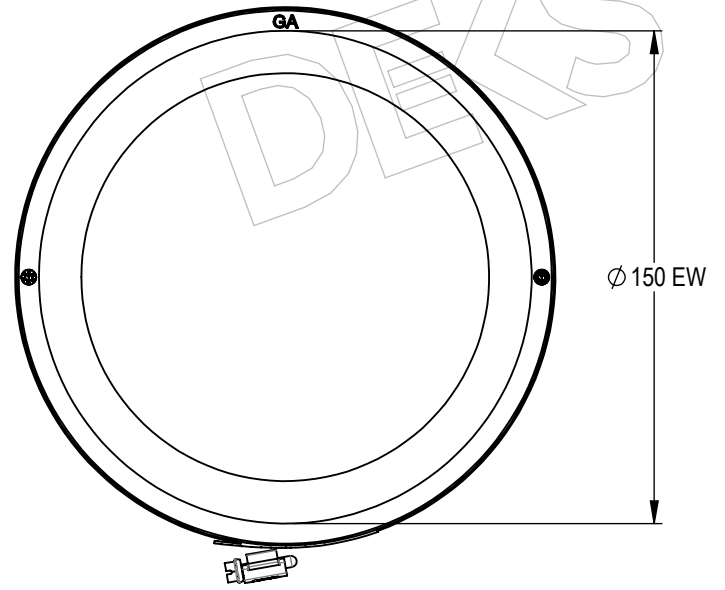
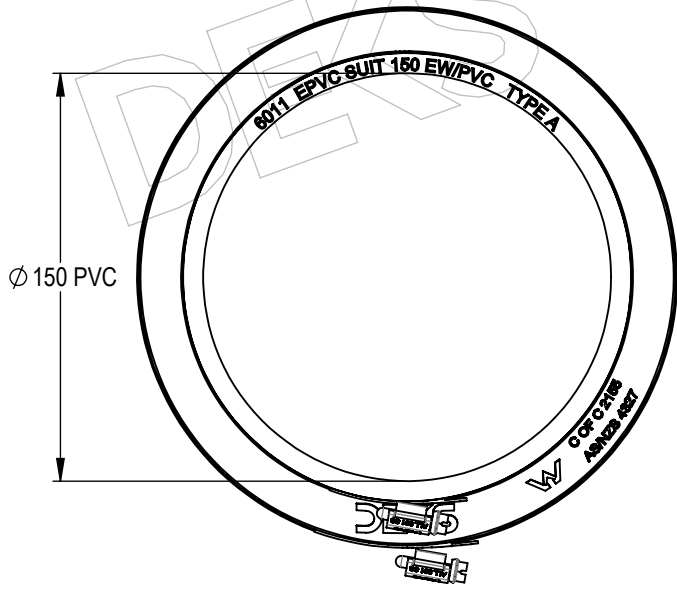
3	STAINLESS STEEL ADJUSTABLE BAND	2
2	STAINLESS STEEL ADJUSTABLE BAND	2
1	SLEEVE	1
ITEM NO.	DESCRIPTION	QTY.

PART NO	DISPLAY NAME	MATERIAL
6014	Deks Joiner 100 EW-PVC Dbl Clip Joiner Blk ePVC	EPDM/SS



ITEM NO.	DESCRIPTION	QTY
1	PIPE JOINER	1
2	STAINLESS STEEL ADJUSTABLE BAND	4

PART NO	DISPLAY NAME	MATERIAL
6016	Deks Joiner 150 PVC Dbl Clip Joiner Bik ePVC	EPDM/SS



3	STAINLESS STEEL ADJUSTABLE BAND	2
2	STAINLESS STEEL ADJUSTABLE BAND	2
1	SLEEVE	1
ITEM NO.	DESCRIPTION	QTY.

PART NO	DISPLAY NAME	MATERIAL
6017	Deks Joiner 150 EW-PVC Dbl Clip Joiner Blk ePVC	EPDM/SS

# IAPMO R&T OCEANA

7-11 Fullard Rd, Narre Warren, VIC 3805, AUSTRALIA



IAPMO R&T Oceana is a product certification body which inspects and arranges for the independent laboratory testing of samples taken from the manufacturer's stock or from the market or a combination of both, to verify compliance of the requirements of applicable Standards and Specifications. This activity is coupled with periodic surveillance of the manufacturer's factory and any major subcontractor's site/s as well as the assessment of the manufacturer's Quality Assurance System. This certification is subject to the conditions set forth in the characteristics below and is not to be construed as any recommendation, assurance or guarantee by IAPMO R&T Oceana of the product acceptance by Authorities Having Jurisdiction.

## CERTIFICATE OF CONFORMITY

*IAPMO R&T Oceana hereby grants to:*

**Deks Industries Pty Ltd**

A.B.N.: 77 107 135 544

5/841 Mountain Highway, Bayswater, Melbourne, Victoria, Australia, 3153

*the right to use the WaterMark in accordance with the ABCB Manual for the WaterMark Certification Scheme;– Australian Standards; WaterMark Technical Specifications; and the Plumbing Code of Australia; only in respect of the certified product as described in the WaterMark Certificate of Conformity – Schedule of Certified Product (Refer also IAPMO Product Listing Directory). The Certificate is granted subject to the rules governing the WaterMark Certification Scheme and the Terms and Conditions of the Approved User Agreement and IAPMO Oceana's WaterMark Governance Rules.*

*Evaluated to:*

**AS/NZS 4327**

**Metal-banded flexible couplings for low pressure applications**

*Manufacturer:*

**Refer to Licence Holder**

<b>Certificate No.:</b>	<b>WM-002155</b>	<b>Certification Date:</b>	<b>10 July 2019</b>
<b>First Certified:</b>	<b>10 July 2019</b>	<b>Expiry Date:</b>	<b>9 July 2024</b>

Chief Executive Officer of the IAPMO Group

This WaterMark Certificate of Conformity is for the period indicated herein and is void after the date shown above. Any change in material, manufacturing process, marking or design without having first obtained the approval of IAPMO R&T Oceana, or any evidence of non-compliance with applicable Standards, Specifications or of inferior workmanship, may be deemed sufficient cause for revocation of this certification. This Certificate can only be reproduced in its entirety. Any alteration of this certificate could be grounds for revocation of this certification.

"This certificate is issued by a JAS-ANZ accredited Conformity Assessment Body. The ABCB and JAS-ANZ do not in any way warrant, guarantee or represent that the product the subject of this Certificate conforms to the WaterMark Certification Scheme Rules, nor accepts any liability arising out of the use of the product. The ABCB disclaims to the extent permitted by law, all liability (including negligence) for claims of losses, expenses, damages and costs arising as a result of the use of the product(s) referred to in this Certificate".