

DEKS INDUSTRIES
5/841 Mountain Highway
Bayswater
Victoria 3153
www.deks.com.au

DEKS

Technical Documents

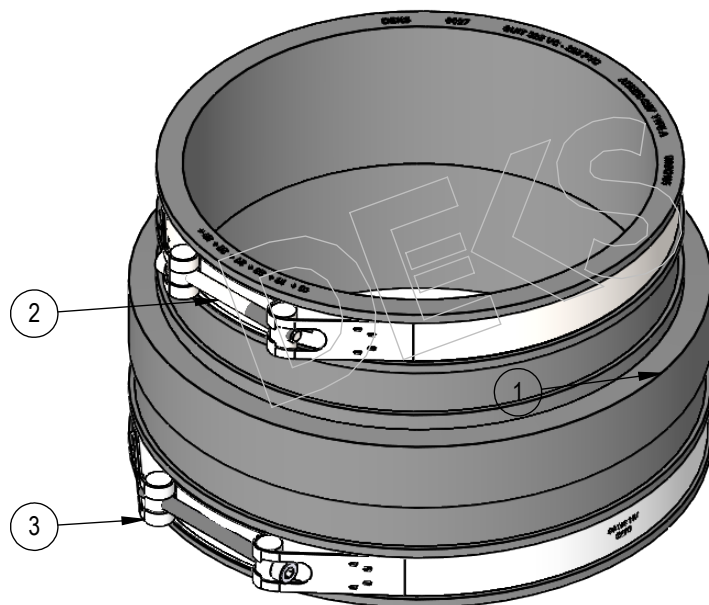
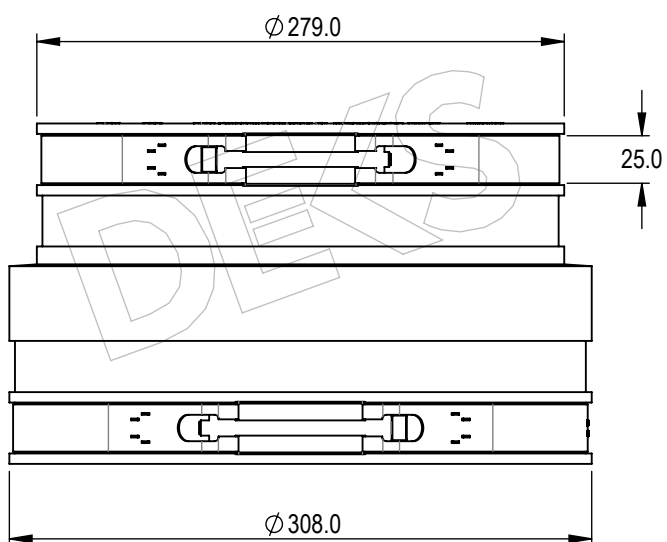
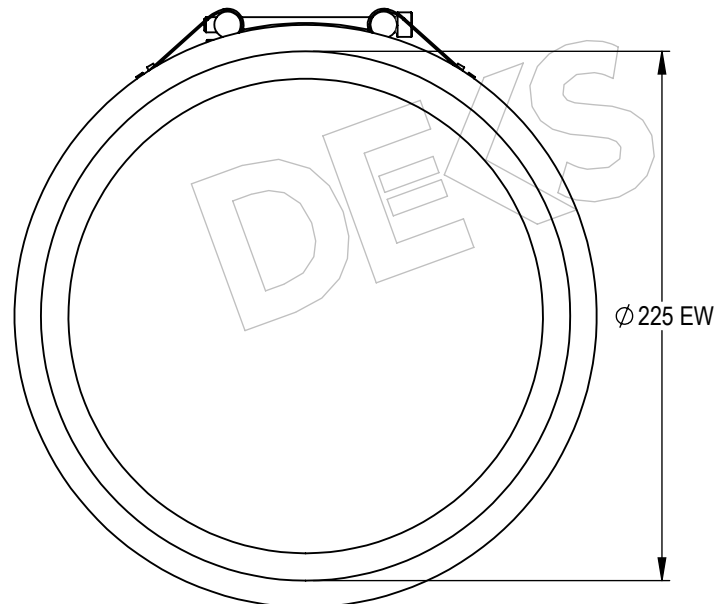
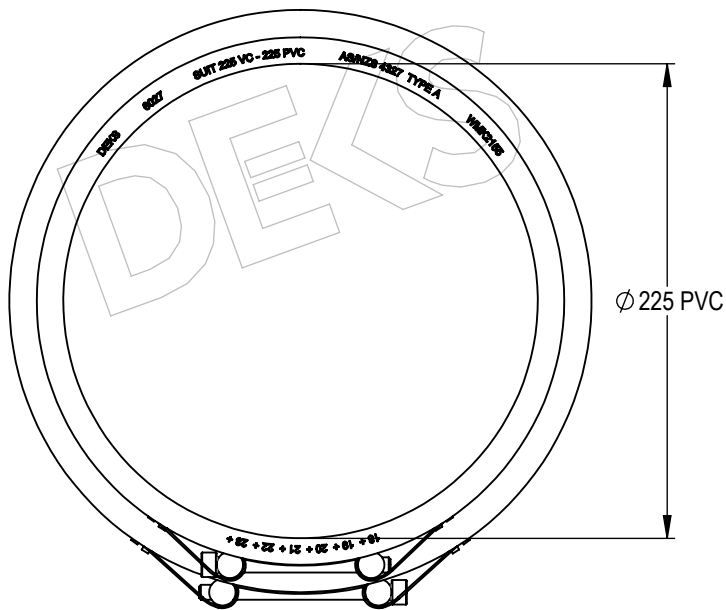
1: Drawings 6027

2: Drawing 6032

3: Watermark Certificate

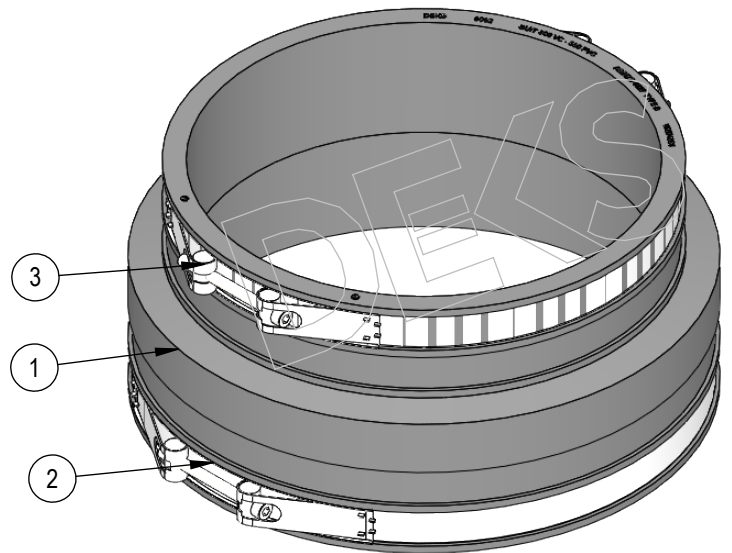
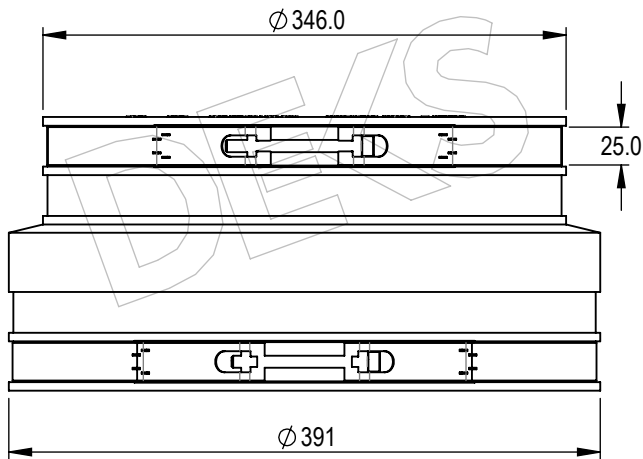
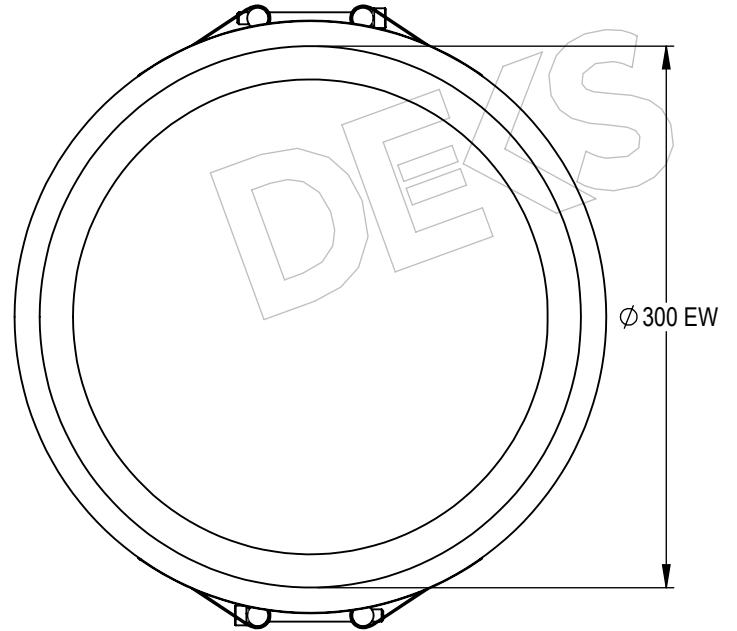
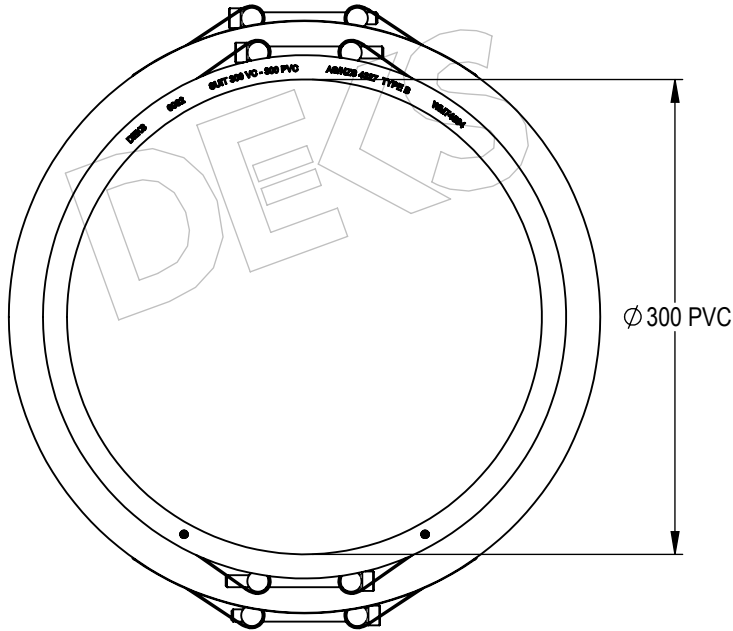
*Follow
Us On*





3	STAINLESS STEEL CLAMP	1
2	STAINLESS STEEL CLAMP	1
1	RUBBER MOULDING	1
ITEM NO.	DESCRIPTION	QTY.

PART NO	DISPLAY NAME
6027	Deks Joiner 225 EW-PVC EPDM



3	STAINLESS CLIP	1
2	STAINLESS CLIP	1
1	RUBBER MOULDING	1
ITEM NO.	DESCRIPTION	QTY.

PART NO	DISPLAY NAME
6032	Deks Joiner 300 EW- PVC EPDM

IAPMO R&T OCEANA

7-11 Fullard Rd, Narre Warren, VIC 3805, AUSTRALIA



IAPMO R&T Oceana is a product certification body which inspects and arranges for the independent laboratory testing of samples taken from the manufacturer's stock or from the market or a combination of both, to verify compliance of the requirements of applicable Standards and Specifications. This activity is coupled with periodic surveillance of the manufacturer's factory and any major subcontractor's site/s as well as the assessment of the manufacturer's Quality Assurance System. This certification is subject to the conditions set forth in the characteristics below and is not to be construed as any recommendation, assurance or guarantee by IAPMO R&T Oceana of the product acceptance by Authorities Having Jurisdiction.

CERTIFICATE OF CONFORMITY

IAPMO R&T Oceana hereby grants to:

Deks Industries Pty Ltd

A.B.N.: 77 107 135 544

5/841 Mountain Highway, Bayswater, Melbourne, Victoria, Australia, 3153

the right to use the WaterMark in accordance with the ABCB Manual for the WaterMark Certification Scheme;– Australian Standards; WaterMark Technical Specifications; and the Plumbing Code of Australia; only in respect of the certified product as described in the WaterMark Certificate of Conformity – Schedule of Certified Product (Refer also IAPMO Product Listing Directory). The Certificate is granted subject to the rules governing the WaterMark Certification Scheme and the Terms and Conditions of the Approved User Agreement and IAPMO Oceana's WaterMark Governance Rules.

Evaluated to:

AS/NZS 4327

Metal-banded flexible couplings for low pressure applications

Manufacturer:

Refer to Licence Holder

Certificate No.:	WM-002155	Certification Date:	10 July 2019
First Certified:	10 July 2019	Expiry Date:	9 July 2024

Chief Executive Officer of the IAPMO Group

This WaterMark Certificate of Conformity is for the period indicated herein and is void after the date shown above. Any change in material, manufacturing process, marking or design without having first obtained the approval of IAPMO R&T Oceana, or any evidence of non-compliance with applicable Standards, Specifications or of inferior workmanship, may be deemed sufficient cause for revocation of this certification. This Certificate can only be reproduced in its entirety. Any alteration of this certificate could be grounds for revocation of this certification.

"This certificate is issued by a JAS-ANZ accredited Conformity Assessment Body. The ABCB and JAS-ANZ do not in any way warrant, guarantee or represent that the product the subject of this Certificate conforms to the WaterMark Certification Scheme Rules, nor accepts any liability arising out of the use of the product. The ABCB disclaims to the extent permitted by law, all liability (including negligence) for claims of losses, expenses, damages and costs arising as a result of the use of the product(s) referred to in this Certificate".