



Technical Documents

1: Drawings Deks Shear Banded Couplings

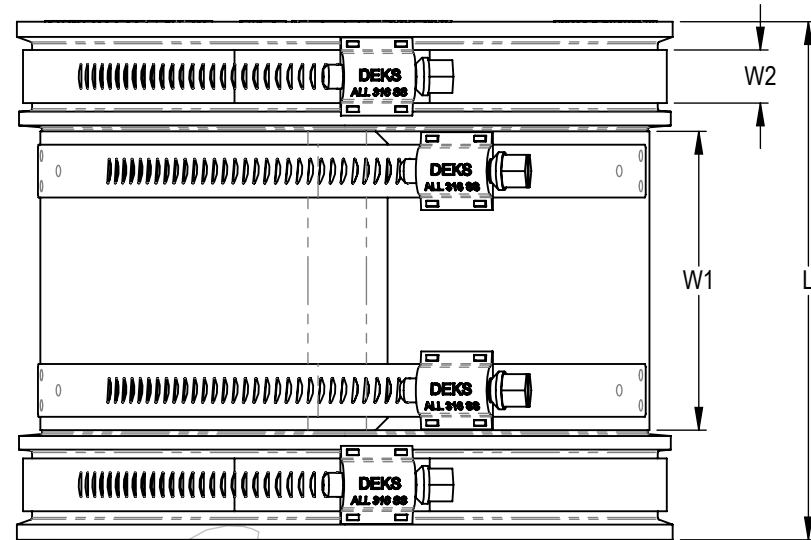
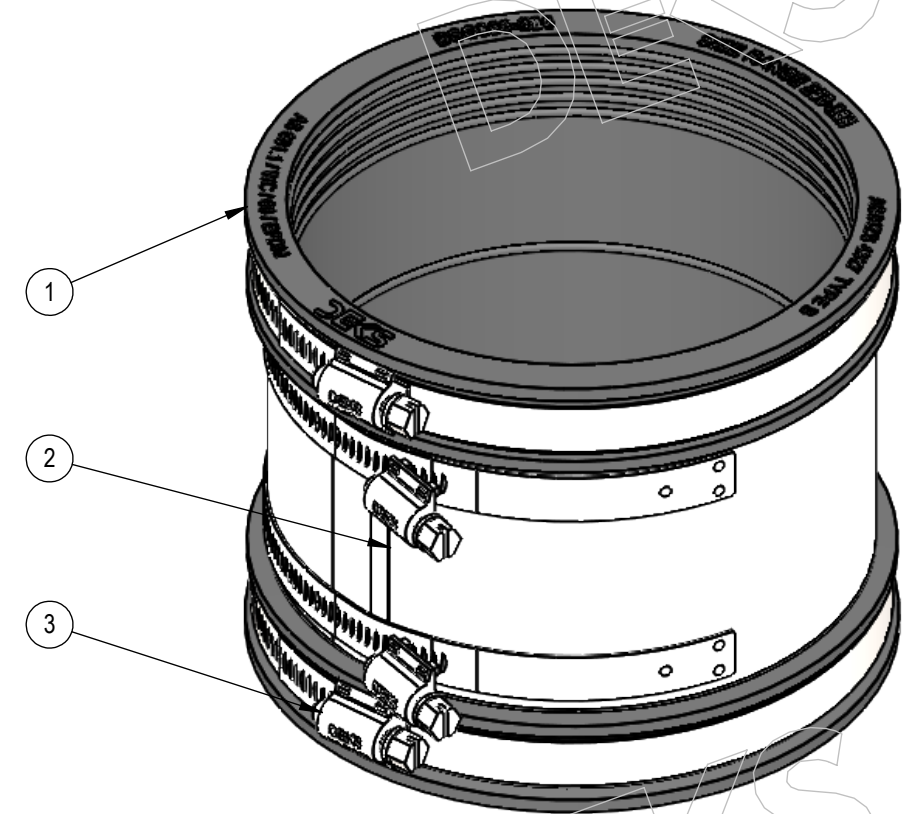
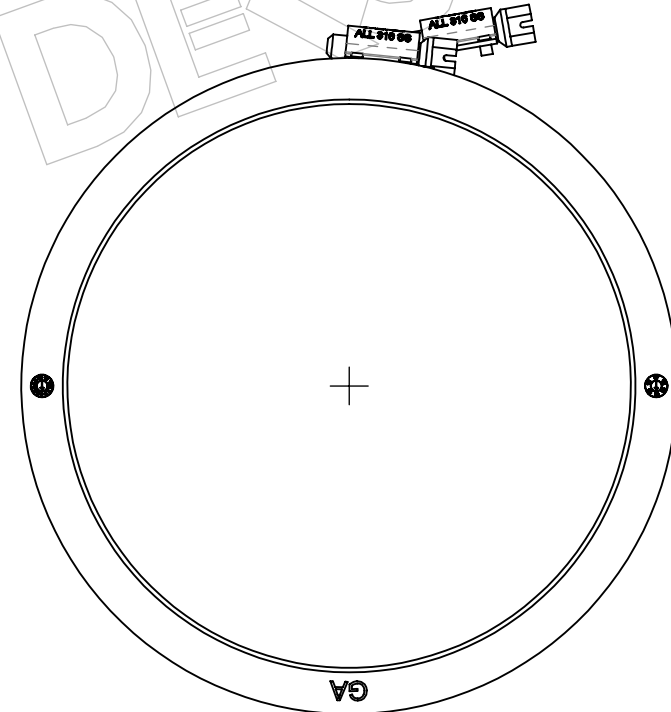
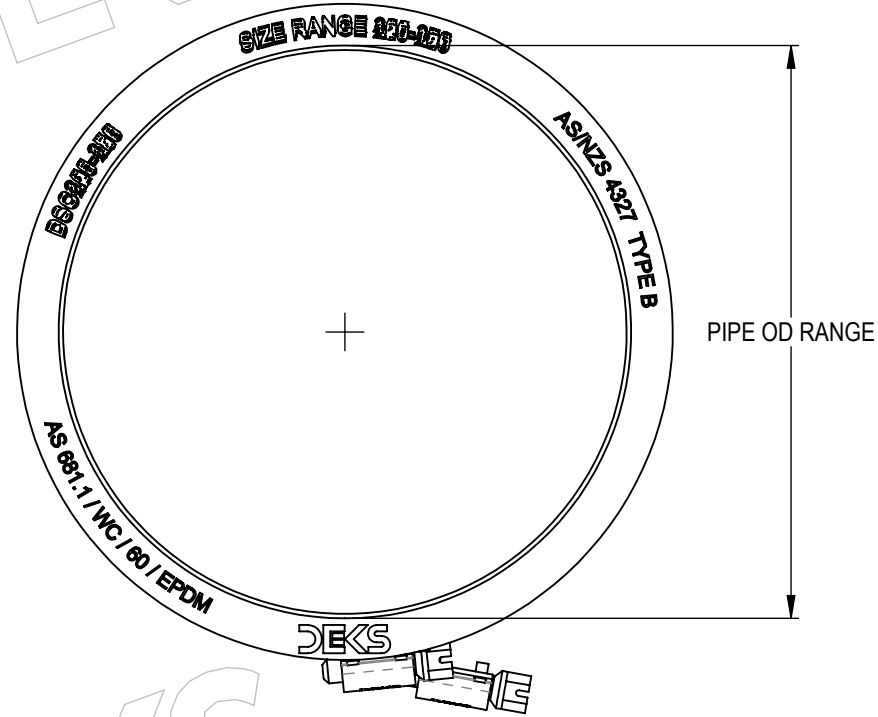
2: Drawings Deks Bushes

3: Product Appraisal Report

4: ApprovalMark Certificate

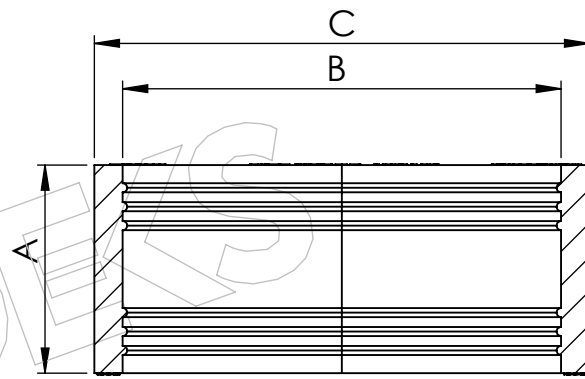
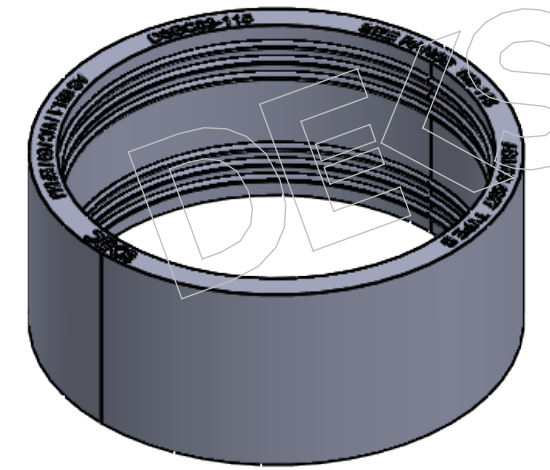
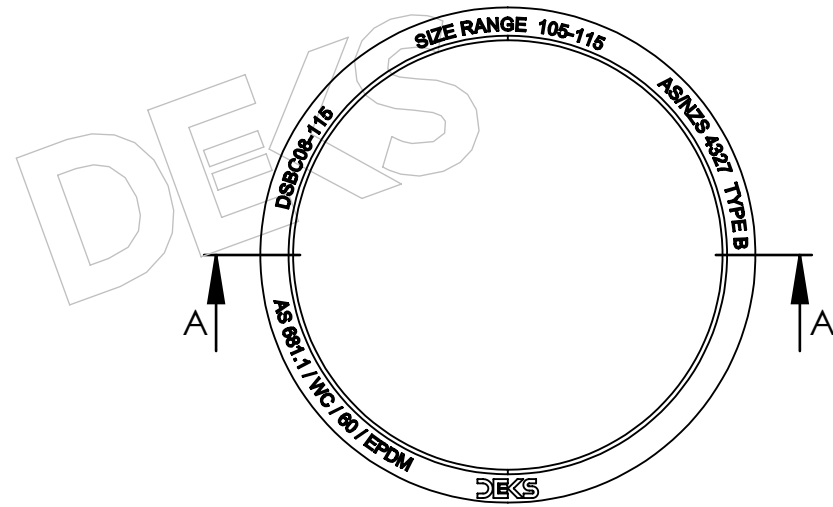
*Follow
Us On*





PART NO	PIPE OD RANGE	DISPLAY NAME	W1	W2	L	ITEM 1 RUBBER MOULDING QTY :1	ITEM 2 SHEAR BAND QTY :1	ITEM 3 METAL BAND QTY :2
DSC100-115 / DSC115	100 - 115	Deks Shear Banded Coupling 100-115mm	54.0	14.2	121.0	DSC100-115R	316SR-440MD	316MB-460MD
DSC110-125 / DSC125	110 - 125	Deks Shear Banded Coupling 110-125mm	54.0	14.2	121.0	DSC110-125R	316SR-470MD	316MB-490MD
DSC120-137 / DSC137	120 - 137	Deks Shear Banded Coupling 120-137mm	54.0	14.2	121.0	DSC120-137R	316SR-490MD	316MB-530MD
DSC125-150 / DSC150	125 - 150	Deks Shear Banded Coupling 125-150mm	79.0	14.2	137.0	DSC125-150R	316SR-530MD	316MB-570MD
DSC160-180 / DSC180	160 - 180	Deks Shear Banded Coupling 160-180mm	79.0	14.2	137.0	DSC160-180R	316SR-625MD	316MB-665MD
DSC175-200 / DSC200	175 - 200	Deks Shear Banded Coupling 175-200mm	79.0	14.2	150.0	DSC175-200R	316SR-690MD	316MB-735MD
DSC225-250 / DSC250	225 - 250	Deks Shear Banded Coupling 225-250mm	79.0	14.2	150.0	DSC225-250R	316SR-850MD	316MB-890MD
DSC250-275 / DSC275	250 - 275	Deks Shear Banded Coupling 250-275mm	79.0	14.2	150.0	DSC250-275R	316SR-930MD	316MB-970MD
DSC265-290 / DSC290	265 - 290	Deks Shear Banded Coupling 265-290mm	79.0	14.2	150.0	DSC265-290R	316SR-980MD	316MB-1020MD

NOTE: DSC125-150 SHOWN FOR DRAWING PURPOSE



SECTION A-A

DSCB08-105-115 IS THE REFERENCE FOR ALL PART NUMBERS.

PART NO.	DISPLAY NAME	MATERIAL	DIM A	DIM B	DIM C
DSCB08/105-115	Deks Bush 8mm thick 105-115mm ID	EPDM	55	116	131
DSCB08/115-125	Deks Bush 8mm thick 115-125mm ID	EPDM	60	126.5	142.5
DSCB08/150-160	Deks Bush 8mm thick 150-160mm ID	EPDM	60	161.5	177.5
DSCB08/156-166	Deks Bush 8mm thick 156-166mm ID	EPDM	60	167.5	182
DSCB08/160-170	Deks Bush 8mm thick 160-170mm ID	EPDM	60	171.5	185
DSCB08/170-180	Deks Bush 8mm thick 170-180mm ID	EPDM	60	181.5	196
DSCB08/240-250	Deks Bush 8mm thick 240-250mm ID	EPDM	60	252	268
DSCB08/255-265	Deks Bush 8mm thick 255-265mm ID	EPDM	60	266	282
DSCB15/105-115	Deks Bush 15mm thick 105-115mm ID	EPDM	60	116	145
DSCB16/154-164	Deks Bush 16mm thick 154-164mm ID	EPDM	60	165.5	197
DSCB16/240-250	Deks Bush 16mm thick 240-250mm ID	EPDM	60	252	284

DEKS Industries Pty Ltd

PRODUCT APPRAISAL REPORT No 1602

DEKS Shear Banded Flexible Couplings, DN 100 – DN 250

AS/NZS 4327: 1995 Metal-banded flexible couplings for low pressure applications

Publication Date: 29 June 2016



WATER SERVICES
ASSOCIATION OF AUSTRALIA



CERTIFICATE OF CONFORMITY

ApprovalMark International hereby grants:

Deks Industries Pty Ltd
5/841 Mountain Highway,
Bayswater 3153
AUSTRALIA

WaterMark Certificate of Conformity – WMCS 2016
Evaluated to:

AS/NZS 4327: 1995 Metal-banded flexible couplings for low pressure applications

The WaterMark licensee shall comply with all the terms and conditions as stipulated by the governance of the operating rules of WaterMark, and shall comply with standard requirement at all times including when standard is amended. The WaterMark license only covers the product which is identified in the product schedule.

This certificate is issued by a JAS-ANZ accredited certification body. The ABCB and JAS-ANZ do not in any way warrant, guarantee or represent that the product the subject of this Certificate conforms to the WaterMark Certification Scheme Rules, nor accepts any liability arising out of the use of the product. The ABCB disclaims to the extent permitted by law, all ability (including negligence) for claims of losses, expenses, damages and costs arising as a result of the use of the product(s) referred to in the certificate.

* This certificate may only be reproduced in its entirety.

Certificate No. **WM 74594**

Issued: 2nd July 2019

Expires: 2nd July 2024

John PRASAD

Director

ApprovalMark International Pty Ltd
20/33 Holbeche Road, Arndell Park 2148, Australia
www.approvalmark.com

Originally Certified: 22nd May 2015

Current Certification: 2nd July 2019

ApprovalMark



WWW.JAS-ANZ.ORG/REGISTER



ApprovalMark Certification



WaterMark