



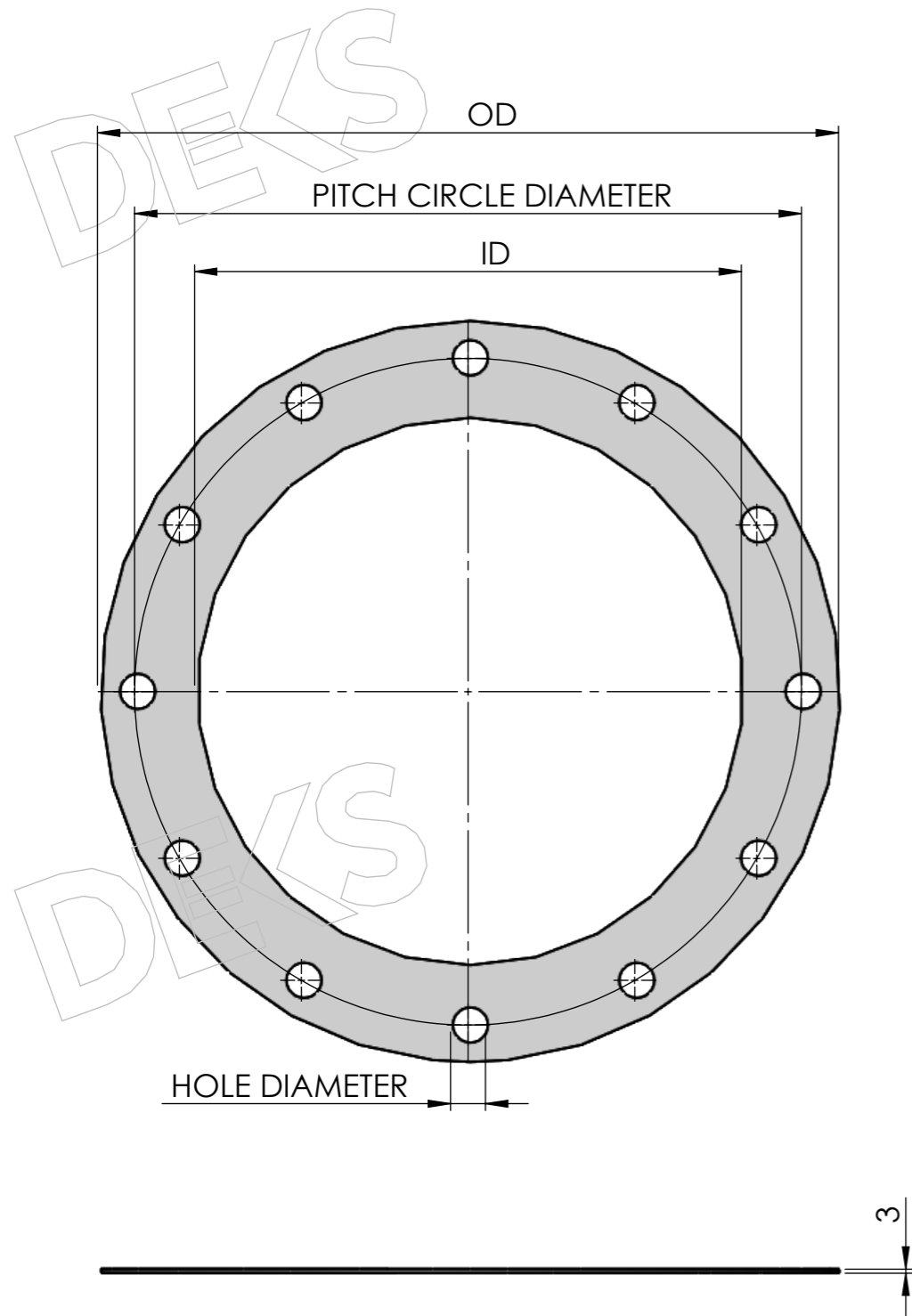
## Technical Documents

### 1: Drawings

DFL80D,100D,150D,200D,225D,  
250D,300D,375D,450D,500D,600  
D,750D

*Follow  
Us On*





MATERIAL : EPDM

PART NO	NOMINAL SIZE	OD mm	ID mm	NUMBER OF HOLES	PITCH CIRCLE DIAMETER mm	HOLE DIAMETER mm
DFL80D	80	185	89	4	146	18
DFL100D	100	215	114	4	178	18
DFL150D	150	280	168	8	235	18
DFL200D	200	335	220	8	292	18
DFL225D	225	370	245	8	324	18
DFL250D	250	405	273	8	356	22
DFL300D	300	455	324	12	406	22
DFL375D	375	550	380	12	495	26
DFL450D	450	640	485	12	584	26
DFL500D	500	705	505	16	641	26
DFL600D	600	825	605	16	756	30
DFL750D	750	995	753	20	927	33