



Technical Documents

1: Drawings Gibaults

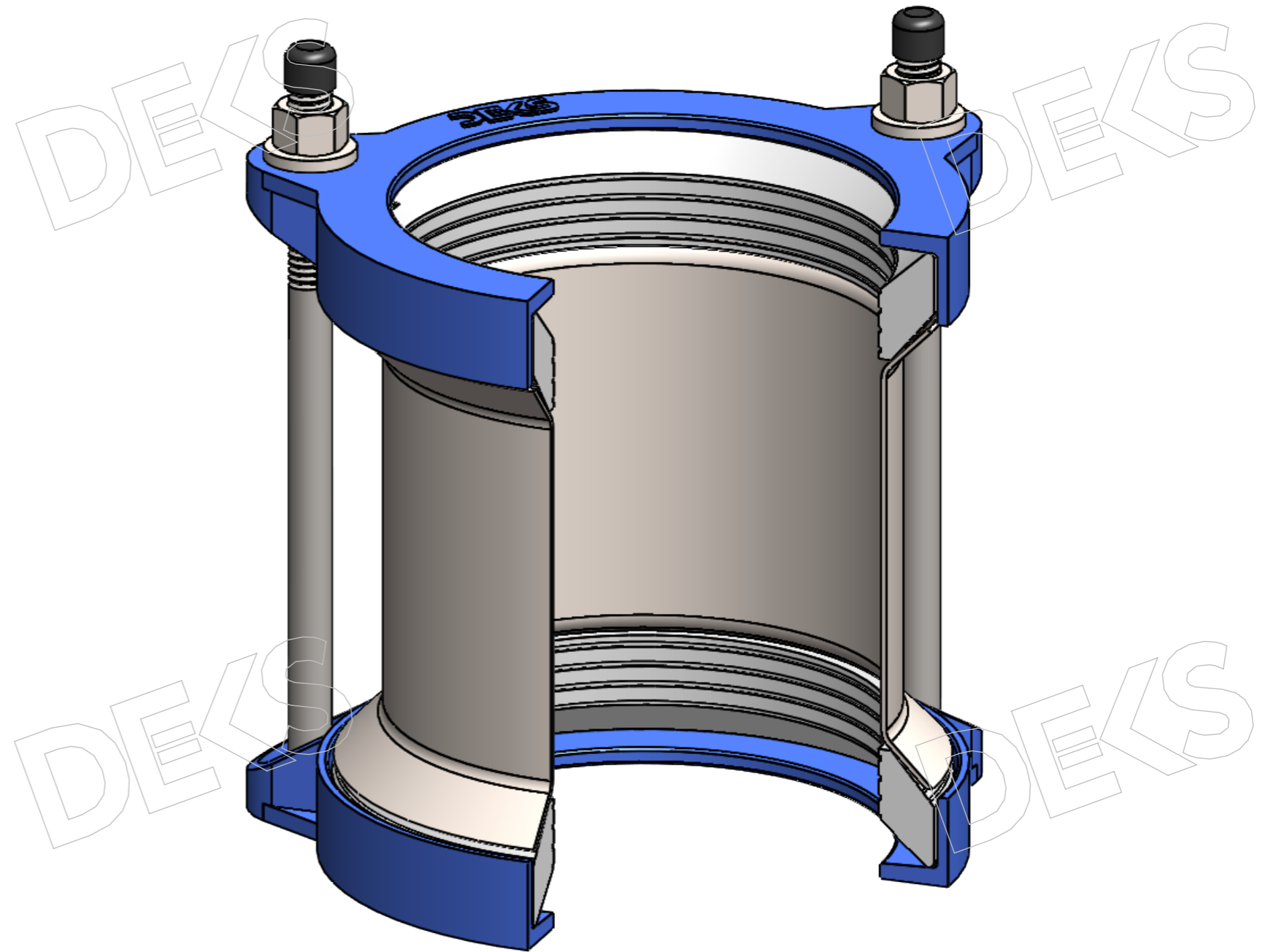
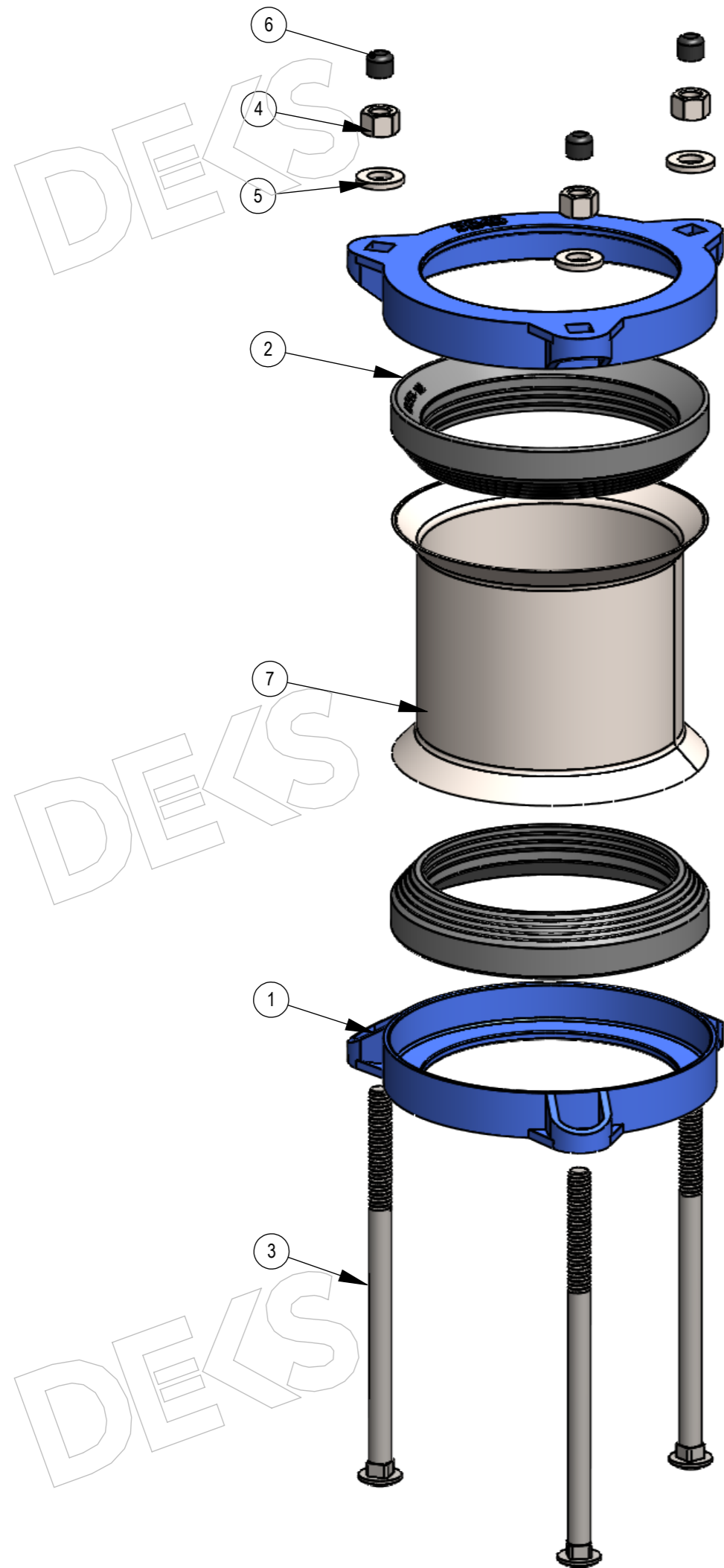
2: Gibaults continued

3: Product Appraisal Report

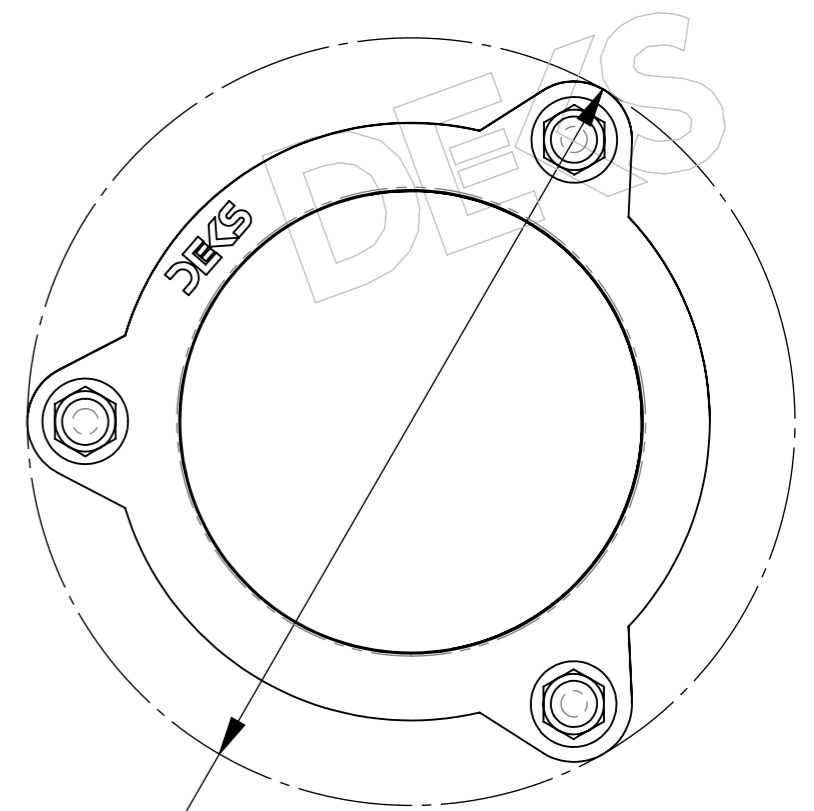
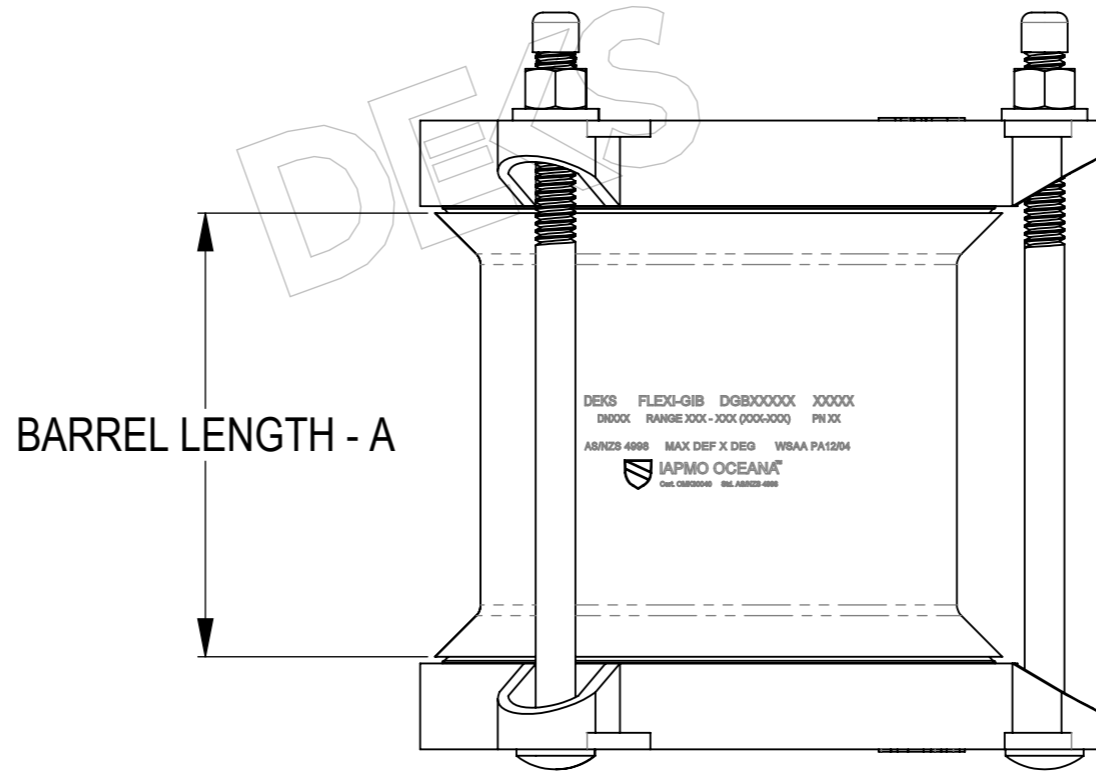
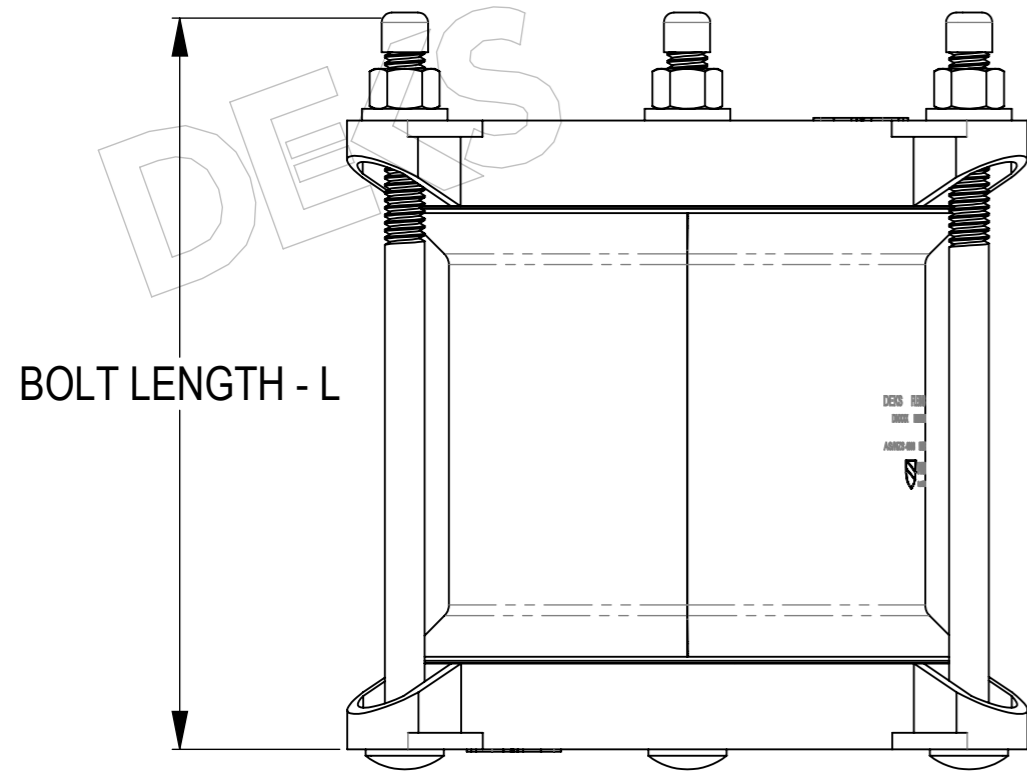
4: Oceanamark Certificate

*Follow
Us On*





7	SS BARREL	
6	PROTECTIVE CAP	
5	M16 WASHER	
4	M16 NUT	
3	M16 BOLT	
2	GASKET	
1	END CAP	
ITEM NO.	DESCRIPTION	



NOTE: DGB150BL SHOWN FOR DRAWING PURPOSE

End Ring OD - M

Part No	Display Name	No Pipe Size (mm)	Size Range		End Ring (OD) M	Bolt Length L	Barrel Length A	Bolts No - Dia	Pressure Mpa
			Min	Max					
DGB80BS	SS Gibault for OD 88-103mm short	DN80	88	103	216	210	101	3-M16	1.6
DGB80BL	SS Gibault for OD 88-103mm long	DN80	88	103	216	270	176	3-M16	1.6
DGB100BS	SS Gibault for OD 108-132mm short	DN100	108	132	254	220	121	3-M16	1.6
DGB100BL	SS Gibault for OD 108-132mm long	DN100	108	132	254	270	176	3-M16	1.6
DGB150BS	SS Gibault for OD 158-182mm short	DN150	158	182	304	275	136	3-M16	1.6
DGB150BL	SS Gibault for OD 158-182mm long	DN150	158	182	304	320	176	3-M16	1.6
DGB200BL	SS Gibault for OD 214-238mm long	DN200	214	238	353	290	176	5-M16	1.6
DGB225BL	SS Gibault for OD 242-269mm long	DN225	242	269	397	290	176	6-M16	1.6
DGB250BL	SS Gibault for OD 270-295mm long	DN250	270	295	417	290	176	6-M16	1.6
DGB300AL	SS Gibault for OD310-334mm long	DN300	310	334	461	340	216	6-M16	1.6
DGB300BL	SS Gibault for OD 330-356mm long	DN300	330	356	481	340	216	6-M16	1.6
DGB350AL	SS Gibault for OD346-370mm long S1 pipe	DN350	346	370	495	340	216	6-M16	1.6
DGB375BL	SS Gibault for OD 400-429mm long	DN375	400	429	565	340	216	8-M16	1.6
DGB400BL	SS Gibault for OD 440-460mm long	DN400	440	460	583	340	216	10-M16	1.6
DGB450BL	SS Gibault for OD 488-512mm long	DN450	488	512	637.5	340	216	10-M16	1.6
DGB500BL	SS Gibault for OD 540-565mm long	DN500	540	565	703	340	216	12-M16	1.6
DGB600BL	SS Gibault for OD 656-680mm long	DN600	656	680	818	340	216	14-M16	1.6

Deks Industries Pty Ltd

PRODUCT APPRAISAL REPORT No 1204 Issue 3

Deks Flexi-Gib Gibaults

**AS/NZS 4998: 2009 Bolted unrestrained mechanical couplings
for waterworks purposes**

Publication Date: 2 July 2019



WATER SERVICES
ASSOCIATION OF AUSTRALIA

IAPMO R&T OCEANA

1040 Dandenong Road, Carnegie VIC 3163 AUSTRALIA



OceanaMark



IAPMO R&T Oceana is a product certification body which inspects and arranges for the independent laboratory testing of samples taken from the manufacturer's stock or from the market or a combination of both, to verify compliance of the requirements of applicable Standards and Specifications. This activity is coupled with periodic surveillance of the certified product, taken from the market place or the manufacturer's factory. This certification is subject to the conditions set forth in the characteristics below and is not to be construed as any recommendation, assurance or guarantee by IAPMO R&T Oceana of the product acceptance by Authorities Having Jurisdiction. The IAPMO R&T Oceana "OceanaMark" Product Certification Scheme is a JAS-ANZ accredited ISO Guide 67 Type 5 Product Certification Scheme.

OCEANAMARK CERTIFICATE*IAPMO R&T Oceana hereby grants to:***Deks Industries Pty Ltd**

A.B.N.: 77 107 135 544

5/841 Mountain Highway, Bayswater, Melbourne, Victoria, Australia, 3153

the right to use the OceanaMark in accordance with IAPMO Oceana Pty Ltd 'Mark Rules' on the product as described in the attached OceanaMark Schedule. The Certificate is granted subject to IAPMO Oceana Pty Ltd 'Governance Rules'.

Evaluated to:

AS/NZS 4998:2009 Bolted unrestrained mechanical couplings for waterworks purposes

*Manufacturer:***Refer to Certificate Holder**

Certificate No.:	OMK30040	Certified Date:	6 December 2013
Issue Date:	6 December 2018	Expiry Date:	5 December 2023

Chief Executive Officer of the IAPMO Group

This OceanaMark certification is for the period indicated herein and is void after the date shown above. Any change in material, manufacturing process, marking or design without having first obtained the approval of IAPMO R&T Oceana, or any evidence of non-compliance with applicable Standards, Specifications or of inferior workmanship, may be deemed sufficient cause for revocation of this certification. Reproduction of or reference to this certificate for advertising purposes may be made only by specific written permission of IAPMO R&T Oceana. Any alteration of this certificate could be grounds for revocation of this certification.