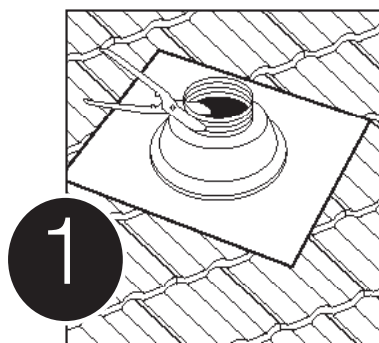


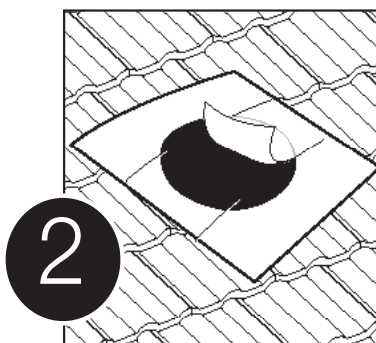


Directions - Rapid Flash



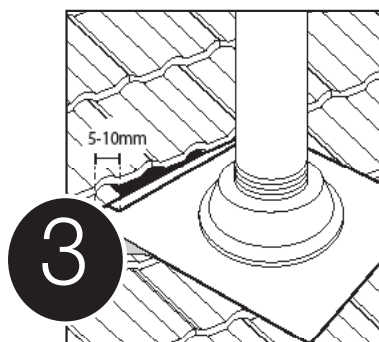
1

Trim the rubber boot to suit pipe size. Ensure surface is clean and dry before application.



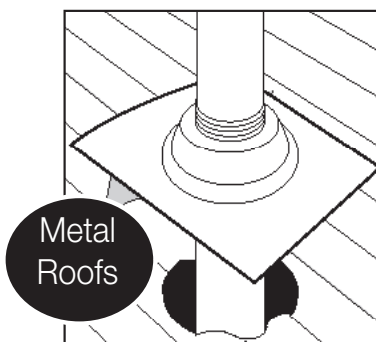
2

Remove the middle underside backing strip and slide the flashing



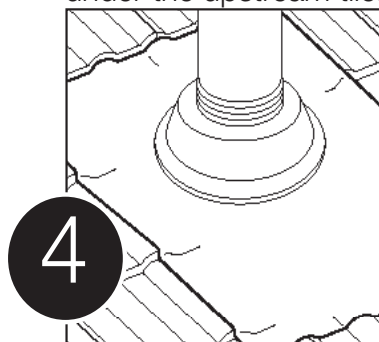
3

For tile roofs, remove the top backing strip and fold 5-10mm of the top of the flashing up over itself creating a dam and affix under the upstream tile.



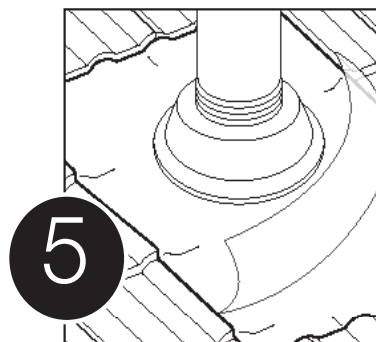
Metal
Roofs

For metal roofs, remove the top backing strip and press down



4

Remove the bottom backing strip and dress the base down firmly,



5

To finish, remove the protective film on the top of the Rapid Flash

DEKS Industries Pty Ltd
(Australia)

This document is for informational purposes only and in no way shall be interpreted or construed to create any warranties of any kind, either express or implied, regarding the information contained herein.