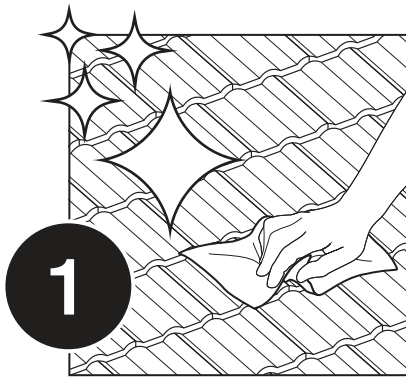
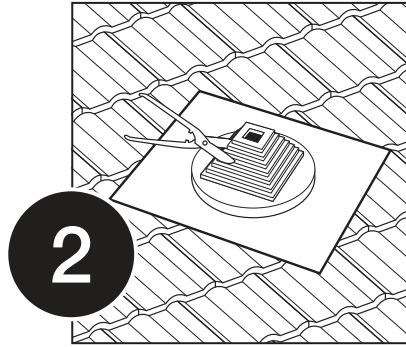


Directions - Rapid Flash Square



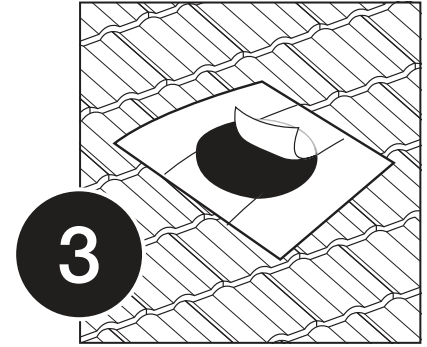
1

Ensure the surface is clean and dry and free of dust and debris.



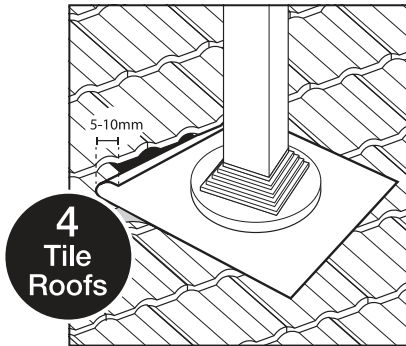
2

Trim the rubber boot to suit the size of the square post or tube.



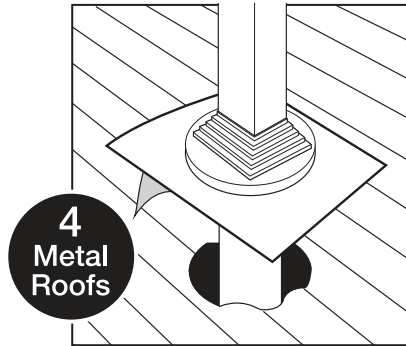
3

Remove the middle backing strip and slide the flashing over the tube/post.



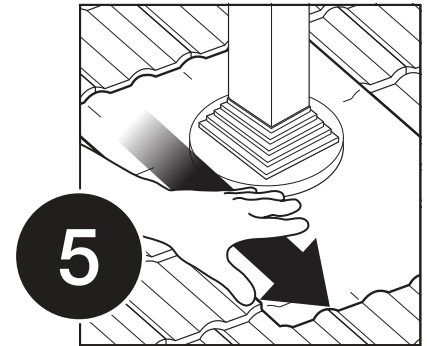
4
Tile
Roofs

For tile roofs, remove the top backing strip and fold 5-10mm of the top of the flashing up over itself creating a dam and affix under the upstream tile.



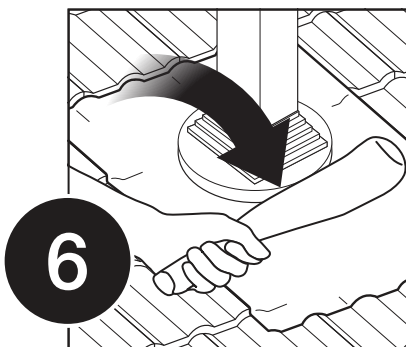
4
Metal
Roofs

For metal roofs, remove the top backing strip and press down conforming to the roof's profile.



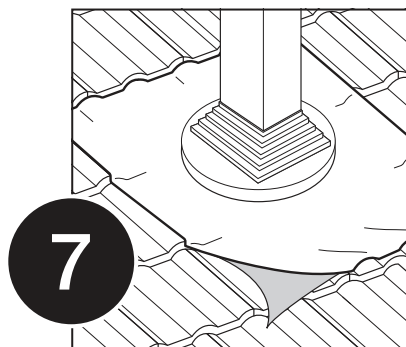
5

Dress the base down firmly by hand, starting from the top of the flashing, adhering to the profile of the roof.



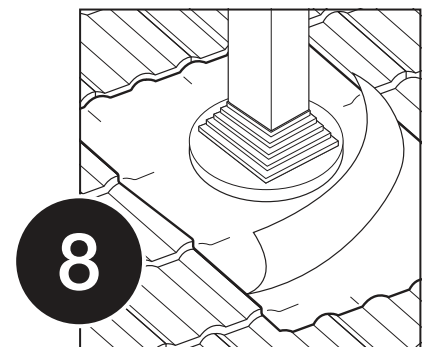
6

Use the DEKS purpose-designed leather Hammer, to dress down the flashing for an optimal finish.



7

Remove the remaining backing strip as you move down the flashing.
*Ensure the flashing isn't restricting downstream water flow.



8

To finish, remove the protective film on the top of the Rapid Flash base.