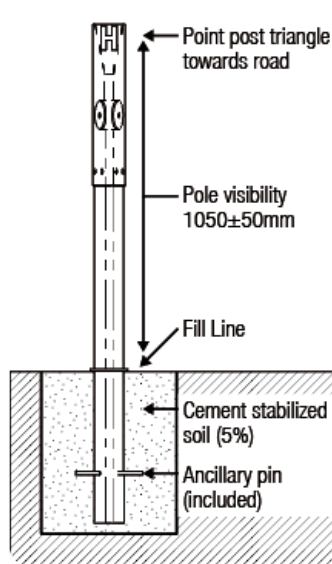


Benefits

- Superior UV Resistant material, designed to withstand arid Australian conditions and maintain its reflective visibility.
- Designed to be safe – Impact safe (Car, moving object or person) and flexible “shock absorbing”.
- Designed to be light weight.
- Exclusive stackable design for transportation (pack many on top of each other).
- Special modular design for different combinations or colour codes. Switch out and use colours as required.
- Innovative structural design to maintain its strength but still flexible for safety.
- 100% Recyclable Materials. Made from HDPE – High density Poly Ethylene.

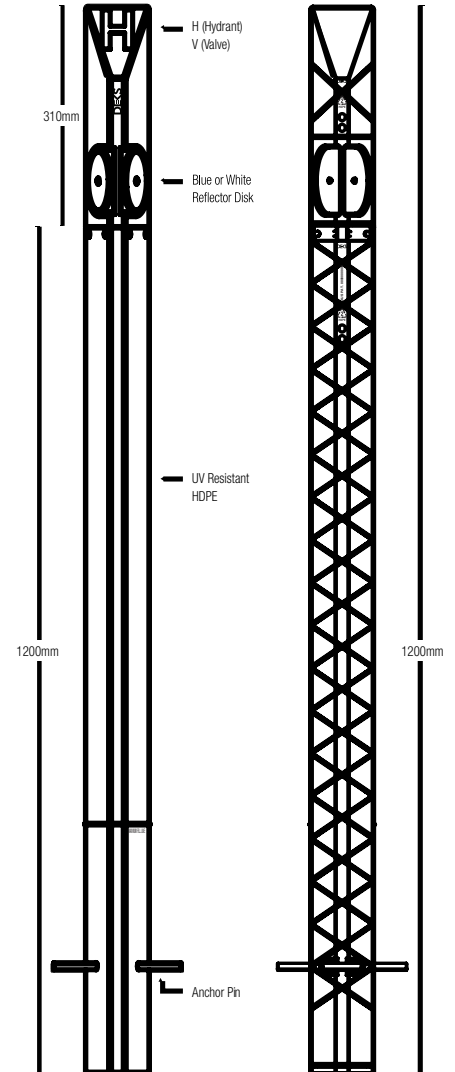
Installation



The marker post shall be anchored in the ground using an ancillary pin supplied with the product and using cement stabilised soil (5%). The visibility of the post from the fill line shall be 1050±50mm.

It should be installed 600mm or farther from the valve or hydrant (if possible), and the post triangle to be pointed to the fittings and the road. Refer to above diagram for installation details.

Please always comply with the water authorities' installation instructions if different to this recommendation.



Features

- Made from HDPE – High density Poly Ethelene (UV Resistant, lightweight, Strong, Recyclable)
- Innovative structural design for strength, flexibility and impact absorption.
- State-of-the-art V shape design for structural resilience and ease of transportation.
- Featuring Interchangeable parts for a quick switch or replacement.
- Made from 100% recyclable materials.

Certificates

