



Technical Documents

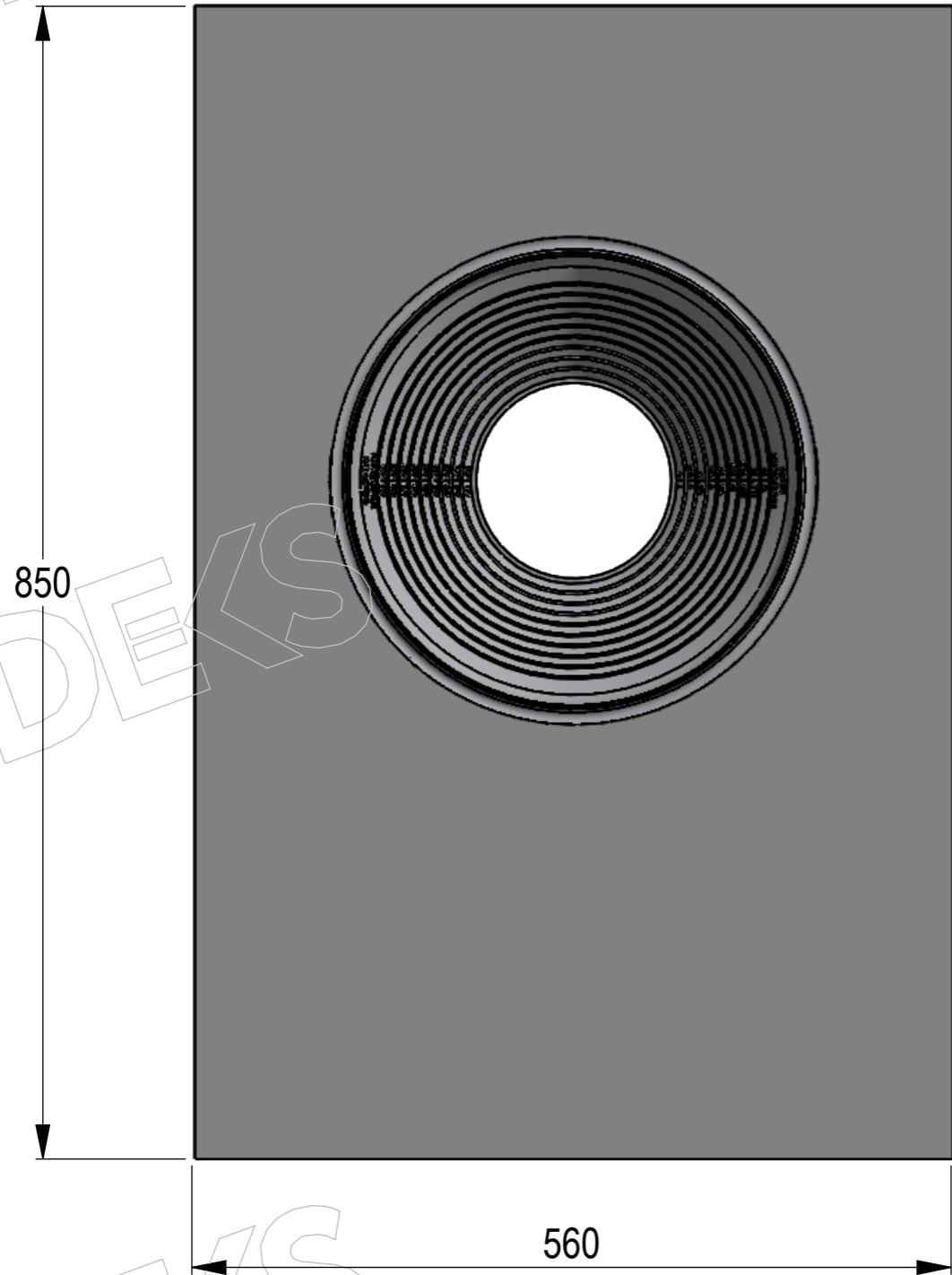
1: Drawings DRF108GB

2: Flashings Technical Specifications

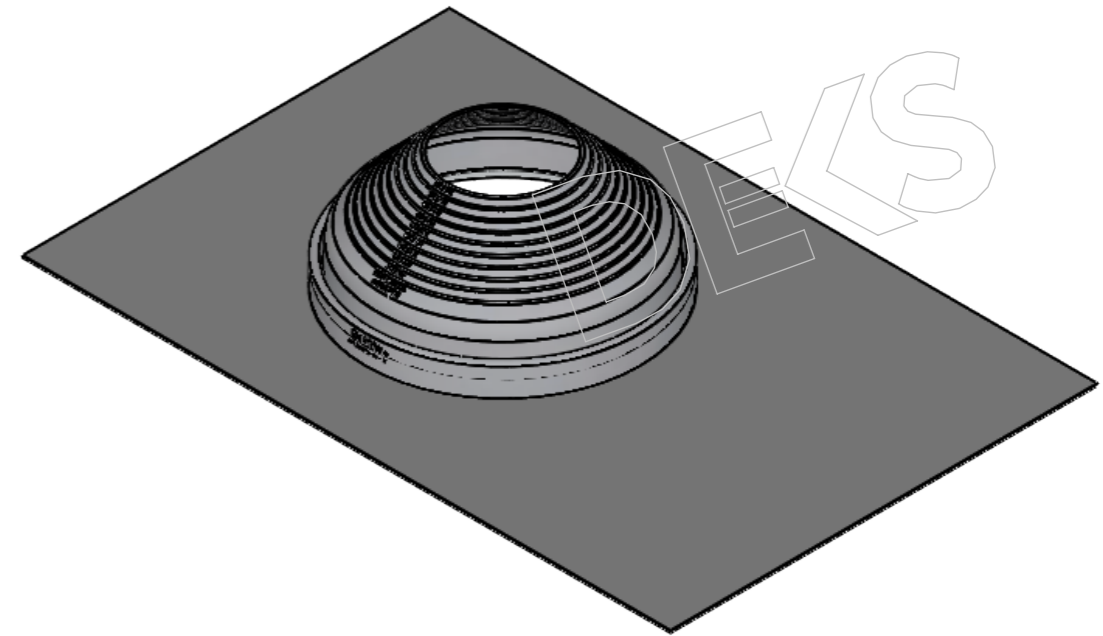
*Follow
Us On*



DEKS



DEKS



DEKS

DEKS

DEKS

DEKS

PART NUMBER	DISPLAY NAME
DRF108GB	RAPIDFLASH BLK EPDM GRY FF (175-330mm) 560X850MM

DEKS Industries Pty. Ltd.
ABN 77 107 135 544

5/841 Mountain Highway
PO Box 569
Bayswater Victoria
3153 Australia

TECHNICAL SPECIFICATION

PRODUCT RANGE: Dektite Rapid Flash Based Roof Flashings

Working Temperature:

Black and Grey EPDM -50°C (-122°F) to 115°C (239°F)

Property	Conditions	Method	Requirements As per IAPMO PS 64 -12	Result
Ultimate Elongation of Rubber	Die C	ASTM D412	Min. 210 % Elongation	Complies
Split Tear Strength of Rubber	Die C	ASTM D624	Min. 0.25 kN/m (EPDM), Min. 0.17 kN/m (Silicone)	Complies
Water Absorption of Rubber	48 hrs @ 158°F	ASTM D471	Max. change 5% by volume	Complies
Ozone Resistance of Rubber	72 hrs @ 104°F & 50 pphm Ozone	ASTM D1149 and D1171	No visible cracks	Complies
Low Temp. Brittleness of Rubber	Non-brittle 3 minutes @ -40°F, Method A	ASTM D2137	No brittleness	Complies
UV resistance of Rubber	UV: One cycle of 4 hrs @ 140°F. Condensation: 2000 hrs @ 122°F	ASTM G154	Max. 50% loss in Tensile Strength & Elongation	Complies